

# CAMBION®

## Non-Magnetic Interconnect Products

Cambion offers a range of non-magnetic products for use in applications susceptible to magnetic interference, such as MRI (Magnetic Resonance Imaging) scanners, and Mine Detection equipment.

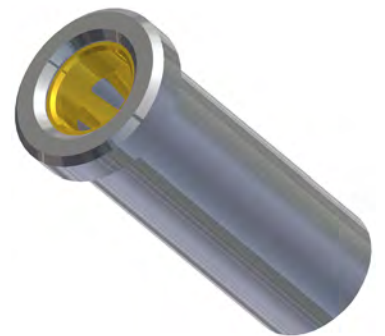
By careful control of raw material and plating selection, and using the latest Magnetoscope technology, magnetic permeability is tightly monitored.

### Features

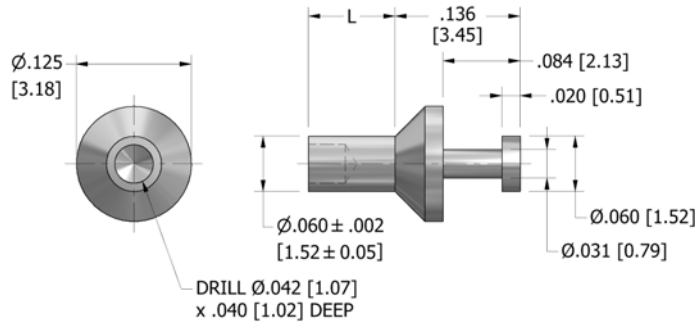
- Low Permeability
- Minimal RF interference
- Various product styles available, connector pins, sockets, terminals, and shorting links
- Choice of plating finishes
- Complements existing ranges
- Custom designs, please consult factory

### Materials

Brass, Copper, or Beryllium Copper  
Finishes - Gold, Tin, Silver, or  
Electro-Solder plated  
Insulation - Polypropylene



# Non-Magnetic Interconnect Products



HOW TO ORDER CODE  
**180-8124-XX-YY-00**

FABRICATION FINISH

FABRICATION		FINISH	
DASH	'L'	DASH	FINISH
-01	.062 [1.57]	-04	ELECTRO-TIN
-02	.094 [2.39]	-05	ELECTRO-SOLDER
-03	.125 [3.18]		
-04	.156 [3.96]		



FABRICATION DATA

DASH	'A'
-01	.200 [5.08]
-02	.250 [6.35]
-03	.300 [7.62]
-04	.400 [10.16]
-05	.500 [12.70]

HOW TO ORDER CODE  
**360-8118-XX-YY-00**

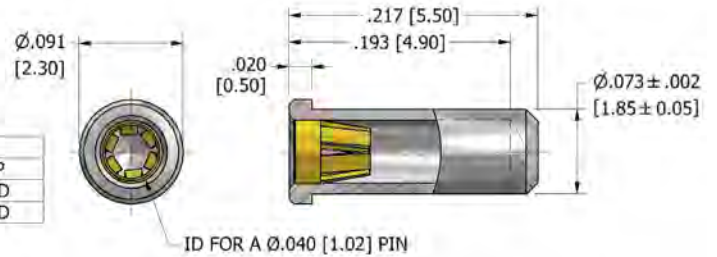
FABRICATION FINISH

FINISH	
DASH	FINISH
-03	GOLD
-04	ELECTRO-TIN

HOW TO ORDER CODE  
**450-8121-01-YY-00**

FINISH

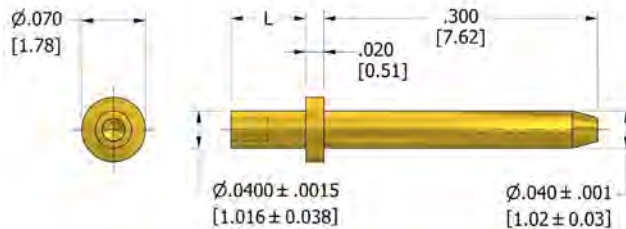
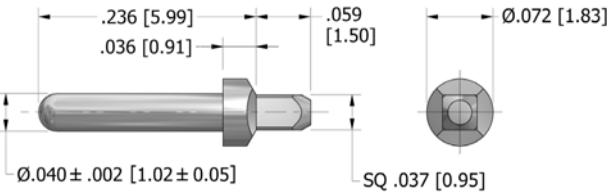
FINISH		
DASH	BODY	CLIP
-03	GOLD	GOLD
-06	ELECTRO-TIN	GOLD



HOW TO ORDER CODE  
**460-8117-01-YY-00**

FINISH

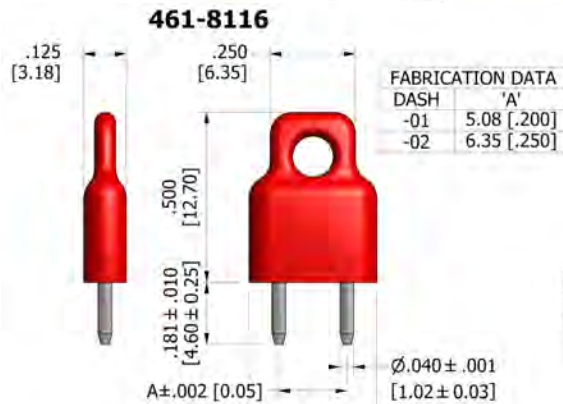
FINISH	
DASH	FINISH
-01	SILVER
-03	GOLD
-04	ELECTRO-TIN



HOW TO ORDER CODE  
**460-8123-XX-YY-00**

FABRICATION FINISH

FABRICATION		FINISH	
DASH	'L'	DASH	FINISH
-01	.051 [1.30]	-03	GOLD
-02	.082 [2.08]	-04	ELECTRO-TIN
-03	.113 [2.87]		



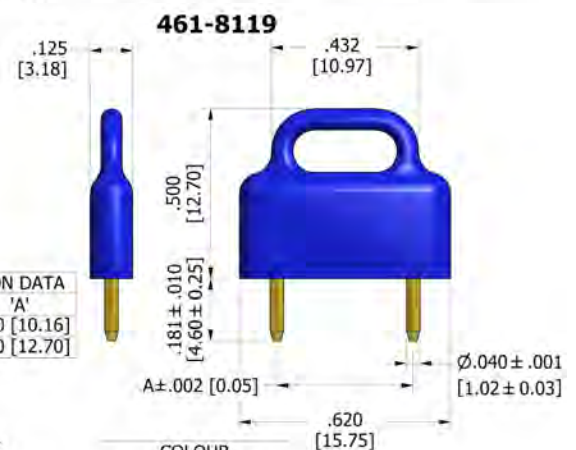
**461-8116**

FABRICATION DATA

DASH	'A'
-01	5.08 [12.70]
-02	6.35 [16.25]

Ø.040 ± .001 [1.02 ± 0.03]

FINISH	
DASH	FINISH
-03	GOLD
-04	ELECTRO-TIN



**461-8119**

FABRICATION DATA

DASH	'A'
-01	.400 [10.16]
-02	.500 [12.70]

Ø.040 ± .001 [1.02 ± 0.03]

HOW TO ORDER CODE  
**461-811X-XX-YY-ZZ**

FABRICATION FINISH COLOUR

COLOUR	
DASH	COLOUR
-10	BLACK
-12	RED
-16	BLUE

Dimensions in inches [mm]