

## Audible Alarm

BD series

MAX  
at 1m **90dB**

**32** Sounds



24V only

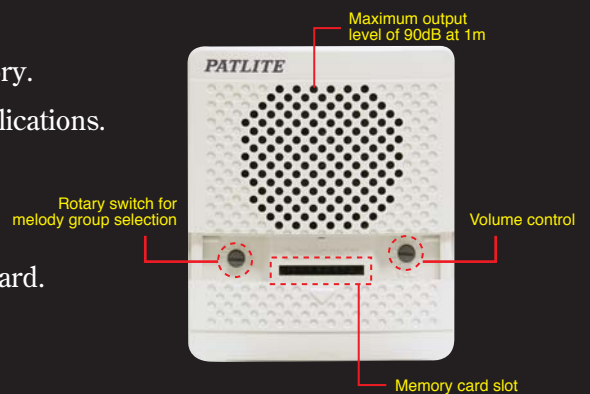
Pending



BD-K (Dark Gray)

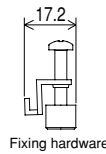
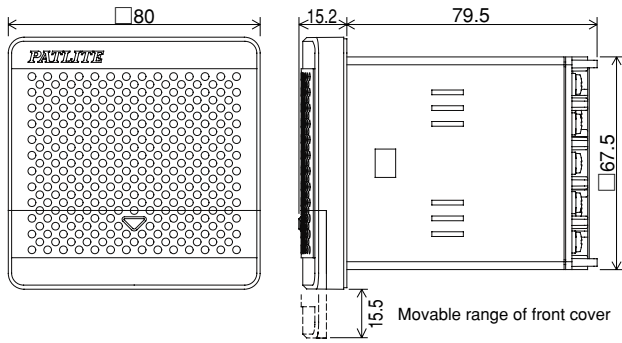
BD-J (Light Gray)

- Maximum output level of 90dB at 1m, suitable for use in noisy factory.
- 32 sounds are pre-recorded in one unit, can be used for various applications. (New sounds are added to current sounds)
- Sound output level and sound group can be selected by rotary switches stored in front panel for easier operation.
- Sound can be selected from 32 sounds stored in optional memory card. (Sold separately)
- RoHS compliant. Eco-friendly design.



[www.patlite.com](http://www.patlite.com)

# PATLITE Corporation



(mm)

**BD-24 A - J**

Rated Voltage  
24: DC24V  
100: AC100V/220V

Color  
J: Light Gray  
K: Dark Gray

Sound Type  
A: A Type  
C: C Type  
D: D Type

Sound selection charts

BD-A type

GROUP	CH1	CH2	CH3	CH4
A <sub>#1</sub>	Beep (slow intermittent horn)	Stutter (rapid intermittent horn)	Bell (clear highpitched bell)	Yelp (rapid siren)
B	Rapid Hi-Lo	Melody Chime	Synthesized Piano	Synthesized Bell
C	Stutter (rapid intermittent horn) Bell (clear highpitched bell)	Synthesized Melody	Chime	Call sign
D	For Elise	Maiden's Prayer	Chime	Call sign
E	Minuet	Annie Laurie	Chime	Call sign
F	London bridge is falling down	Holdiridia	Chime	Call sign
G	Merry had a little Lamb	The camptown Races	Chime	Call sign
H	Cuckoo	Blacksmith in the village	Chime	Call sign
I	On the Avignon bridge	Daydream Believer	Chime	Call sign
J	Amaryllis	Symphony No.40	Chime	Call sign
K	Silent Lakeside	Mountain musician	Chime	Call sign
L	Romance De Amour	Petrouchka	Chime	Call sign
M	Grandfather's Clock	Ave Maria	Chime	Call sign
N	Holdiridia	Mountain musician	Stutter (rapid intermittent horn) Bell (clear highpitched bell)	Synthesized Melody
O	Merry had a little Lamb	Romance De Amour	Stutter (rapid intermittent horn) Bell (clear highpitched bell)	Synthesized Melody
P <sub>#2</sub>	The camptown Races	Cuckoo	Petrouchka	Grandfather's Clock

BD-C type

GROUP	CH1	CH2	CH3	CH4
A <sub>#1</sub>	Beep (slow intermittent horn)	Stutter (rapid intermittent horn)	Bell (clear highpitched bell)	Yelp (rapid siren)
B	Rapid Hi-Lo	Melody Chime	Synthesized Piano	Synthesized Bell
C	Stutter (rapid intermittent horn) Bell (clear highpitched bell)	Synthesized Melody	Chime	Call sign
D	Can't Take My Eyes off You	TOP OF THE WORLD	Chime	Call sign
E	ENTERTAINER	AMAZING GRACE	Chime	Call sign
F	Amairo No Kami No Otome	Les Champs-Elysees	Chime	Call sign
G	Canon	La La Sunshine	Chime	Call sign
H	Uchu Senkan Yamato	Oshiete	Chime	Call sign
I	Makenaide	Fanfare for Rocky	Chime	Call sign
J	I Don't Want to Miss a Thing	Yozora No Mukou	Chime	Call sign
K	Ai Wa Katsu	TRUTH	Chime	Call sign
L	Guts Daze!!	Odoru Ponpokorin	Chime	Call sign
M	Ima Sugu Kiss Me	Haru Yo Koi	Chime	Call sign
N	Les Champs-Elysees	TRUTH	Stutter (rapid intermittent horn) Bell (clear highpitched bell)	Synthesized Melody
O	Canon	Guts Daze!!	Stutter (rapid intermittent horn) Bell (clear highpitched bell)	Synthesized Melody
P <sub>#2</sub>	La La Sunshine	Uchu Senkan Yamato	Odoru Ponpokorin	Ima Sugu Kiss Me

BD-D type

GROUP	CH1	CH2	CH3	CH4
A <sub>#1</sub>	Beep (slow intermittent horn)	Stutter (rapid intermittent horn)	Bell (clear highpitched bell)	Yelp (rapid siren)
B	Rapid Hi-Lo	Melody Chime	Synthesized Piano	Synthesized Bell
C	Runner	I want to take care of you	Chime	Call sign
D	Oribia wo kikinagara	September	Chime	Call sign
E	Saturday lovers	Autumn	Chime	Call sign
F	Surf heaven,Ski heaven	Color/White blend	Chime	Call sign
G	HIHO	Forest bear	Chime	Call sign
H	Is there a kid like this?	Rudolph the red-nosed reindeer	Chime	Call sign
I	My darling clementine	Yankee doodle	Chime	Call sign
J	Runner	I want to take care of you	Oribia wo kikinagara	September
K	Saturday lovers	Autumn	Surf heaven,Ski heaven	Color/White blend
L	HAPPY BIRTHDAY	HIHO	I've Been Working on the Railroad	Forest bear
M	Cha cha cha toy	Is there a kid like this?	Lullaby (Schubert)	Rudolph the red-nosed reindeer
N	She wore a yellow ribbon	My darling clementine	The yellow rose of Texas	Yankee doodle
O	When the saints go marchin' in	Londonderry air	Runnner	I want to take care of you
P <sub>#2</sub>	HIHO	I've Been Working on the Railroad	Yankee doodle	When the saints go marchin' in

Specifications

Model	BD-24□	BD-100□
Rated Voltage	24V DC	100V AC / 220V AC 50/60Hz
Operating Voltage Range	20~26V DC	100V±10% AC / 220V±10% AC
Power Consumption	Max. 4W	Max. 6W
Volume	Max. 90dB at 1m (when flush mount), volume level adjustable Volume may be lowered depending on sound type and operation conditions	
Input System	1bit input	
Hold Time of Input Signal	Continuance	
Bootup Time	When voltage input: 1s or less When channel signal input: 170ms or less	
Channel	4 channels	
Recorded Sound	32 alarms and melodies	
Sound Group	16 patterns (A to P)	
Operating Temperature Range	-20 ~ 50 °C	
Relative Humidity	85% RH or less (without dew condensation)	
Protection Rating	IP54 (when flush mount, front direction only)	
Vibration Resistance	19.6m/s <sup>2</sup>	
Weight	205g±10%	325g±10%

※1 Factory default setting ※2 Can be programmed with optional SD Card (SDV-128P/sold separately)

**PATLITE Corporation**

2-58 Wakabayashi, Yao, Osaka 581-0038  
International Division

TEL. +81-72-948-3211 FAX. +81-72-948-5533

**PATLITE (U.S.A.) Corporation** <http://www.patlite.com>

e-mail : sales@patlite.com

3860 Del Amo Blvd., Suite #401 Torrance, CA 90503

TEL. +1-310-214-3222 FAX. +1-310-214-9999

**PATLITE Corporation/European Office**

e-mail : patlite@euronet.nl

Westblaak 140, 3012KM Rotterdam, The Netherlands

TEL. +31-10-412-1314 FAX. +31-10-412-3672

**PATLITE (SINGAPORE) PTE LTD**

e-mail : sales@patlite.com.sg

2 Havelock Road, #05-01/02, Apollo Centre, Singapore 059763

TEL. +65-6226-1111 FAX. +65-6324-1411

**PATLITE (CHINA) Corporation** <http://www.patlite.cn>

e-mail : sales@patlite.cn

Block E, No.9 FL, Hua Du Bldg., No.828-838 Zhang Yang Road,  
Pudong Dist., Shanghai China 200122

TEL. +86-21-6876-1533 FAX. +86-21-6876-9688