

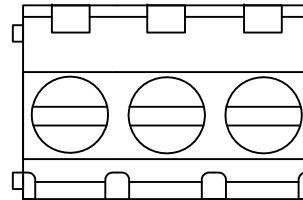
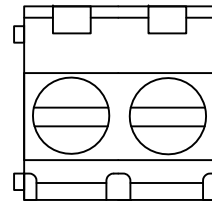
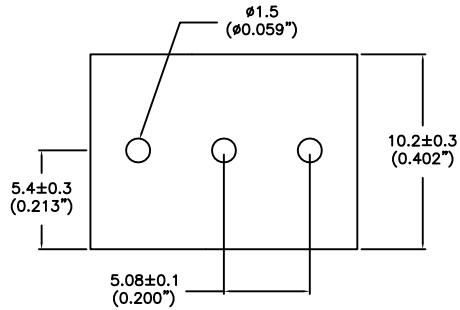
ALL RIGHTS RESERVED. NO PORTION OF THIS PUBLICATION, WHETHER IN WHOLE OR IN PART CAN BE REPRODUCED WITHOUT THE EXPRESS WRITTEN CONSENT OF SPC TECHNOLOGY.

REVISIONS

DOC. NO. SPC-F005 \* Effective: 12/21/98 \* DCP No: 680

DCP #	REV	DESCRIPTION	DRAWN	DATE	CHECKD	DATE	APPRVD	DATE
1967	A	Released	JN	11/17/08	JWM	11/17/08	JWM	11/17/08
2062	B	Part Added	JN	07/24/09	JN	07/24/09	JN	07/24/09

PCB Layout

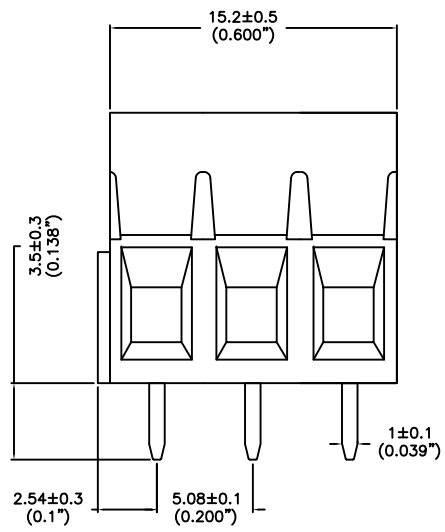
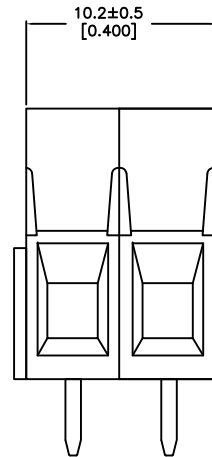
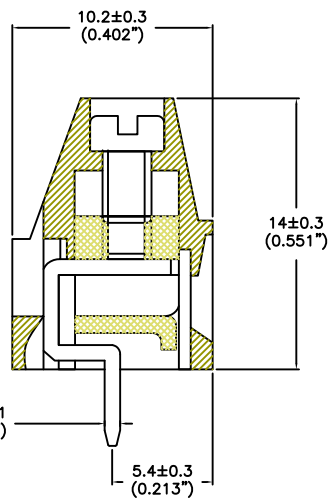


Notes:

- Current Voltage: AC 300V
- Current Rating: 16Amp
- Wire Size: 12~26 AWG
- Housing Material: Polyamide 66 (UL94V-0)
- Cage Clamp: Steel, Ni Plated
- Terminal: Brass, Tin Plated
- Screw Size: M2.6, Steel, Ni Plated
- Operation Temperature: -40°C to +105°C
- Screw Torque: 7.0 lb-inch

Pitch: 5.08mm (0.200 inches)

Mfg. P/N	Poles
MC24366	2
MC24367	3
MC24368	4



**DISCLAIMER:**  
ALL STATEMENTS AND TECHNICAL INFORMATION CONTAINED HEREIN ARE BASED UPON INFORMATION AND/OR TESTS WE BELIEVE TO BE ACCURATE AND RELIABLE. SINCE CONDITIONS OF USE ARE BEYOND OUR CONTROL, THE USER SHALL DETERMINE THE SUITABILITY OF THE PRODUCT FOR THE INTENDED USE AND ASSUME ALL RISK AND LIABILITY WHATSOEVER IN CONNECTION THEREWITH.



SPC TECHNOLOGY

TOLERANCES:

UNLESS OTHERWISE SPECIFIED, DIMENSIONS ARE FOR REFERENCE PURPOSES ONLY.

DRAWN BY:	DATE:
Jason Nash	11/17/08
CHECKED BY:	DATE:
JWM	11/17/08
APPROVED BY:	DATE:
JWM	11/17/08

DRAWING TITLE:

Terminal Block

SIZE	DWG. NO.	ELECTRONIC FILE	REV
A	Ta-987	Ta-987.dwg	B
SCALE:	NTS	U.O.M.: INCHES [mm]	SHEET: 1 OF 1