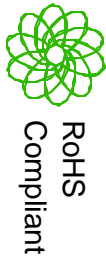
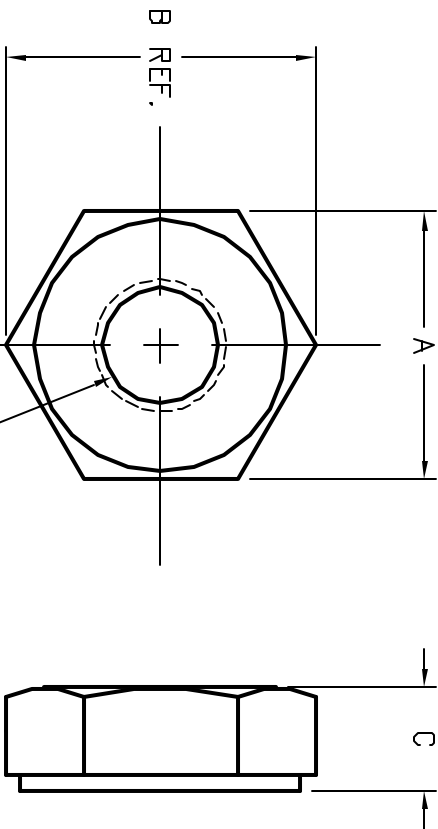


ALL RIGHTS RESERVED. NO PORTION OF THIS PUBLICATION, WHETHER IN WHOLE OR IN PART CAN BE REPRODUCED WITHOUT THE EXPRESS WRITTEN CONSENT OF SPC TECHNOLOGY.



REVISIONS		DOC. NO.	SPC-F005	Effective 12/21/08	DCP No	890		
DCP #	REV	DESCRIPTION	DRAWN	DATE	CHECKD	DATE	APPRVD	DATE
1950	A	RELEASED	JIN	10/22/08	JWM	10/22/08	JWM	10/22/08



SPC TYPE NO.	THREAD SIZE	A	B	C
SPC21810	# 2 - 56	.180	7/32"	.070
SPC21811	# 4 - 40	.250	9/32"	.100
SPC21812	# 6 - 32	.305	23/64"	.120
SPC21813	# 8 - 32	.335	25/64"	.130
SPC21814	#10 - 32	.365	7/16"	.135

Thread Size
See the chart

Material: Nylon, Natural color

DISCLAIMER:
ALL STATEMENTS AND TECHNICAL INFORMATION CONTAINED HEREIN ARE BASED UPON INFORMATION AND/OR TESTS WE BELIEVE TO BE ACCURATE AND RELIABLE. SINCE CONDITIONS OF USE ARE BEYOND OUR CONTROL, THE USER SHALL DETERMINE THE SUITABILITY OF THE PRODUCT FOR THE INTENDED USE AND ASSUME ALL RISK AND LIABILITY WHATSOEVER IN CONNECTION THEREWITH.

UNLESS OTHERWISE SPECIFIED, DIMENSIONS ARE FOR REFERENCE PURPOSES ONLY.

DRAWN BY:	Jason Nash	DATE:	10/22/08
CHECKED BY:	JWM	DATE:	10/22/08
APPROVED BY:	JWM	DATE:	10/22/08



SPC TECHNOLOGY

DRAWING TITLE: NYLON HEX NUT

SIZE	DWG. NO.	ELECTRONIC FILE	REV
A	TA-968	TA-968.DWG	A
SCALE:	NTS	U.O.M.: INCHES	SHEET: 1 OF 1