



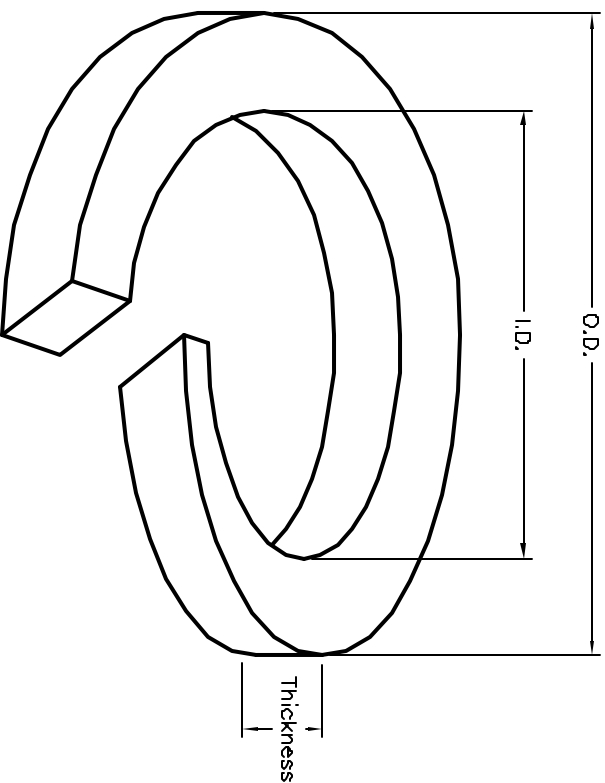
ALL RIGHTS RESERVED. NO PORTION OF THIS PUBLICATION, WHETHER IN WHOLE OR IN PART CAN BE REPRODUCED WITHOUT THE EXPRESS WRITTEN CONSENT OF SPC TECHNOLOGY.

SPC-F006.DWG

REVISIONS		DWG. NO. SPC-F006	Effective 7/8/02	DWG. No. 1308
DWG #	REV	DESCRIPTION	DATE	DATE
1950	A	Released	JUN 10/22/08	JUN 10/22/08

Mfg. P/N	Mean Section Thickness (Inches)	O.D. (Inches)	I.D. (Inches)	Screw Size
WLS-04-017-SZ	.025	.209	.115 - .121	4
WLS-06-018-SZ	.031	.250	.141 - .148	6
WLS-10-024-SZ	.047	.334	.194 - .202	10

MATERIAL: Steel, Zinc Plated



DISCLAIMER: ALL STATEMENTS AND TECHNICAL INFORMATION CONTAINED HEREIN ARE BASED UPON INFORMATION AND/OR TESTS WE BELIEVE TO BE ACCURATE AND RELIABLE. SINCE CONDITIONS OF USE ARE BEYOND OUR CONTROL, THE USER SHALL DETERMINE THE SUITABILITY OF THE PRODUCT FOR THE INTENDED USE AND ASSUME ALL RISK AND LIABILITY WHATSOEVER IN CONNECTION THEREWITH.

TOLERANCES: UNLESS OTHERWISE SPECIFIED, DIMENSIONS ARE FOR REFERENCE PURPOSES ONLY.

DRAWN BY:	DATE:
Jason Nash	10/22/08
CHECKED BY:	DATE:
JWM	10/22/08
APPROVED BY:	DATE:
JWM	10/22/08

DRAWING TITLE:		Split Lock Washer	
SIZE	DWG. NO.	ELECTRONIC FILE	REV
A	Ta-961	Ta-961.dwg	A
SCALE:	U.O.M.: INCHES [mm]	SHEET:	1 OF 1
NTS			