



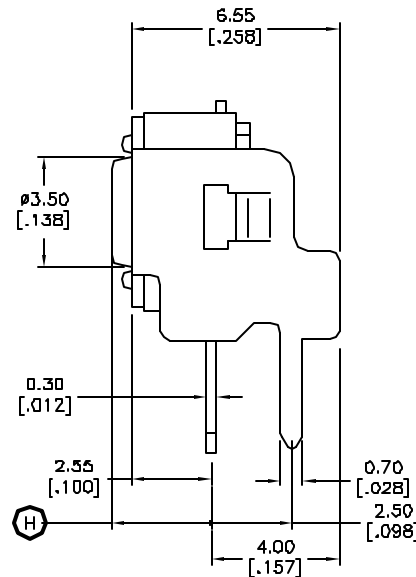
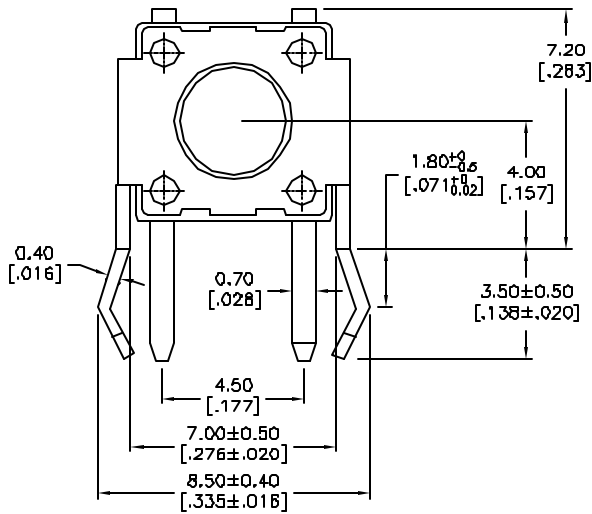
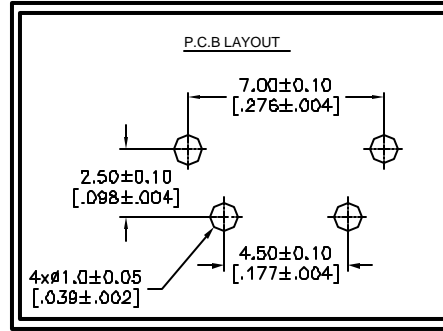
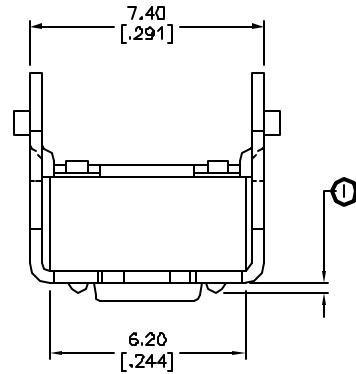
ALL RIGHTS RESERVED. NO PORTION OF THIS PUBLICATION, WHETHER IN WHOLE OR IN PART CAN BE REPRODUCED WITHOUT THE EXPRESS WRITTEN CONSENT OF SPC TECHNOLOGY.

SPC-F008.DWG

REVISIONS

DOC. NO. SPC-F005 \* Effective: 7/8/02 \* DCP No: 1308

DCP #	REV	DESCRIPTION	DRAWN	DATE	CHECKD	DATE	APPRVD	DATE
2032	A	Released	JN	03/05/09	JWM	03/05/09	JWM	03/05/09



**SPECIFICATION**



**MECHANICAL**

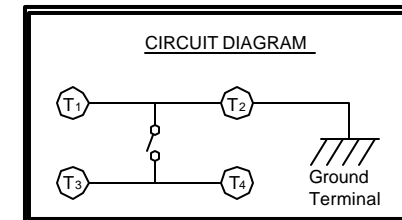
- Operation Force: See Table
- Stroke Strength: Max 3kgf vertical static load continuously for 15 sec.
- Stroke: (6x6) 0.25+0.2mm/-0.1mm
- Operation Temperature: -25°C to + 70°C
- Storage Temperature: -30°C to +80°C

**ELECTRICAL**

- Electrical Life: 1,000,000 cycles
- Rating: 50mA , 12 VDC
- Contact Resistance: 100m Ωmax.
- Insulation Resistance: 100M Ωmin. at 500VDC
- Dielectric Strength: 250VAC / 1 minute
- Contact Arrangement: SPST

**MATERIALS**

- COVER: Steel, Tin Plated
- BASE: UL94V-0 Nylon Thermoplastic
- STEM: UL94V-0 Nylon Thermoplastic
- CONTACT DISCO: See Table
- TERMINAL: Brass with silver plating



DISCLAIMER:  
ALL STATEMENTS AND TECHNICAL INFORMATION CONTAINED HEREIN ARE BASED UPON INFORMATION AND/OR TESTS WE BELIEVE TO BE ACCURATE AND RELIABLE. SINCE CONDITIONS OF USE ARE BEYOND OUR CONTROL, THE USER SHALL DETERMINE THE SUITABILITY OF THE PRODUCT FOR THE INTENDED USE AND ASSUME ALL RISK AND LIABILITY WHATSOEVER IN CONNECTION THEREWITH.

TOLERANCES:  
UNLESS OTHERWISE SPECIFIED, DIMENSIONS ARE FOR REFERENCE PURPOSES ONLY.

DRAWN BY:	DATE:
Jason Nash	03/05/09
CHECKED BY:	DATE:
Jeff McVicker	03/05/09
APPROVED BY:	DATE:
Jeff McVicker	03/05/09

DRAWING TITLE: <b>Tactile Switch</b>			
SIZE	DWG. NO.	ELECTRONIC FILE	REV
<b>A</b>	<b>Ta-1092</b>	<b>Ta-1092.dwg</b>	<b>A</b>
SCALE: NTS	U.O.M.: INCHES [mm]	SHEET: 1 OF 2	



Mfg. P/N	Operating Force	Color	Contact Disc	Dimension	
				H	I
MC32868	100gf	Black	Stainless Steel	3.85 [.152]	0.4 [.016]
MC32870	100gf	Black	Stainless Steel	6.15 [.242]	0.4 [.016]
MC32834	160gf	Brown	Phosphor Bronze	3.15 [.124]	0.3 [.016]
MC32869	160gf	Brown	Stainless Steel	3.85 [.152]	0.4 [.016]
MC32835	160gf	Brown	Phosphor Bronze	3.85 [.152]	0.4 [.016]
MC32871	160gf	Brown	Stainless Steel	6.15 [.242]	0.4 [.016]
MC32838	160gf	Brown	Phosphor Bronze	6.15 [.242]	0.4 [.016]
MC32836	160gf	Brown	Phosphor Bronze	11.85 [.467]	0.4 [.016]
MC32837	160gf	Brown	Phosphor Bronze	11.85 [.467]	0.4 [.016]

ALL RIGHTS RESERVED. NO PORTION OF THIS PUBLICATION, WHETHER IN WHOLE OR IN PART CAN BE REPRODUCED WITHOUT THE EXPRESS WRITTEN CONSENT OF SPC TECHNOLOGY.

SIZE  
**A**

DWG. NO.

**Ta-1092**

ELECTRONIC FILE

**Ta-1092.DWG**

REV

**A**