



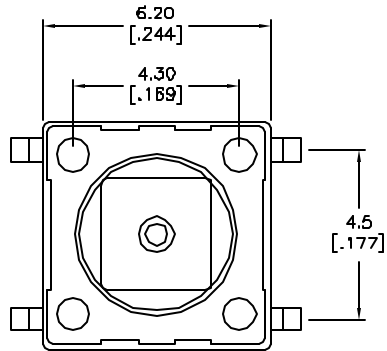
ALL RIGHTS RESERVED. NO PORTION OF THIS PUBLICATION, WHETHER IN WHOLE OR IN PART CAN BE REPRODUCED WITHOUT THE EXPRESS WRITTEN CONSENT OF SPC TECHNOLOGY.

SPC-F008.DWG

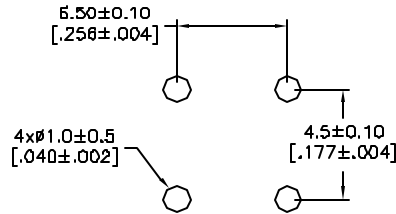
REVISIONS

DOC. NO. SPC-F005 * Effective: 7/8/02 * DCP No: 1398

DCP #	REV	DESCRIPTION	DRAWN	DATE	CHECKD	DATE	APPRVD	DATE
2032	A	Released	JN	03/05/09	JWM	03/05/09	JWM	03/05/09



P.C.B. LAYOUT



SPECIFICATION

MECHANICAL

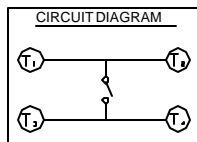
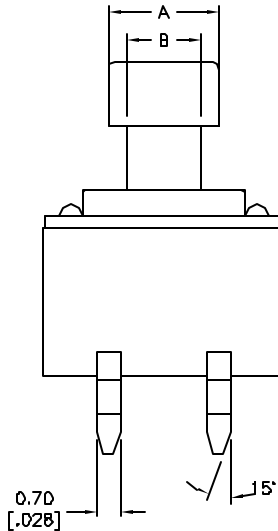
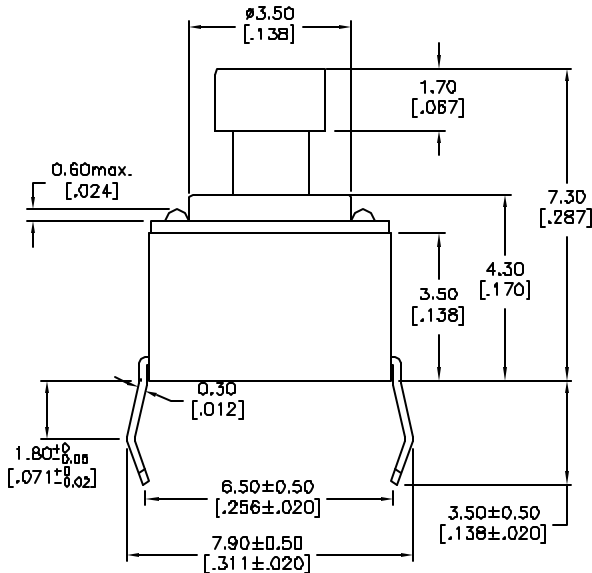
- Stop Strength: Max. 3kgf vertical static load continuously for 15 seconds
- Stroke: (12x12) 0.35±0.1mm
- Operation Temperature: -25°C to + 70°C
- Storage Temperature: -30°C to +80°C

ELECTRICAL

- Rating: 50mA , 12VDC
- Contact Resistance: 100m Ωmax.
- Insulation Resistance: 100M Ω min. at 500VDC
- Dielectric Strength: 250VAC / 1 minute
- Contact Arrangement: 1 pole 1 throw

MATERIALS

- COVER: Stainless Steel
- CONTACT DISC: Stainless steel with silver cladding.
- TERMINAL: Brass with silver plated.
- BASE: UL94V-0 Nylon High-Temp. Thermoplastic
- STEM: UL94V-0 Nylon High-Temp. Thermoplastic



Mfg. Part No.	Operating Force Max.	Color	Electrical Life	Dimension A	Dimension B	Dome Material
MC32865	100gf Max	Black	1,000,000 Cycles	2.4 [0.095]	1.6 [0.063]	Stainless Steel
MC32866	160gf Max	Brown	1,000,000 Cycles		1.6 [0.063]	Stainless Steel
MC32832	160gf Max	Brown	200,000 Cycles	2.8 [0.110]	1.6 [0.063]	Phosphor Bronze
MC32833	160gf Max	Brown	200,000 Cycles		2.0 [0.079]	Phosphor Bronze

DISCLAIMER: ALL STATEMENTS AND TECHNICAL INFORMATION CONTAINED HEREIN ARE BASED UPON INFORMATION AND/OR TESTS WE BELIEVE TO BE ACCURATE AND RELIABLE. SINCE CONDITIONS OF USE ARE BEYOND OUR CONTROL, THE USER SHALL DETERMINE THE SUITABILITY OF THE PRODUCT FOR THE INTENDED USE AND ASSUME ALL RISK AND LIABILITY WHATSOEVER IN CONNECTION THEREWITH.

TOLERANCES: UNLESS OTHERWISE SPECIFIED, DIMENSIONS ARE FOR REFERENCE PURPOSES ONLY.

DRAWN BY:	DATE:
Jason Nash	03/05/09
CHECKED BY:	DATE:
Jeff McVicker	03/05/09
APPROVED BY:	DATE:
Jeff McVicker	03/05/09

DRAWING TITLE:			
Tactile Switch			
SIZE	DWG. NO.	ELECTRONIC FILE	REV
A	Ta-1086	Ta-1086.dwg	A
SCALE: NTS	U.O.M.: INCHES [mm]	SHEET: 1 OF 1	