



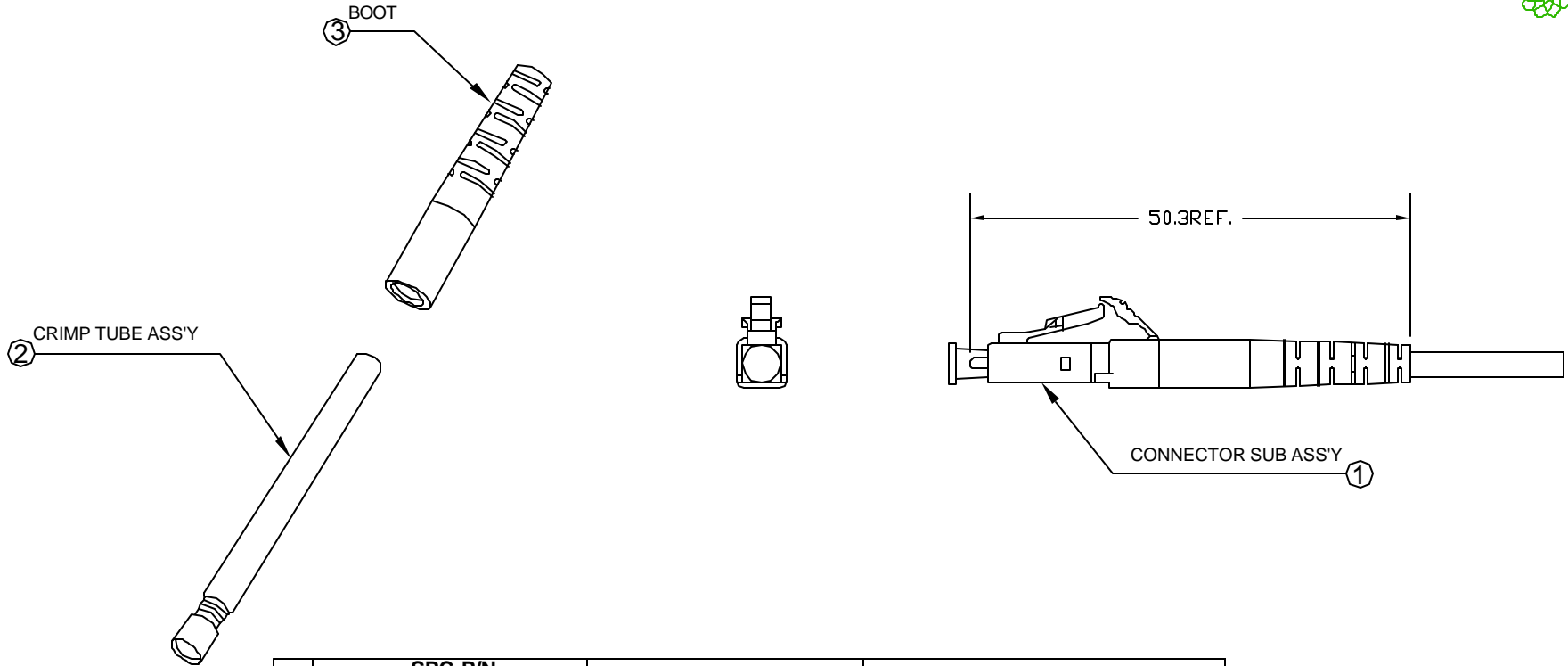
ALL RIGHTS RESERVED. NO PORTION OF THIS PUBLICATION, WHETHER IN WHOLE OR IN PART CAN BE REPRODUCED WITHOUT THE EXPRESS WRITTEN CONSENT OF SPC TECHNOLOGY.

SPC-F008.DWG

REVISIONS

DOC. NO. SPC-F005 * Effective: 7/8/02 * DCP No: 1398

DCP #	REV	DESCRIPTION	DRAWN	DATE	CHECKD	DATE	APPRVD	DATE
2016	A	Released	JN	01/14/09	JWM	01/14/09	JWM	01/14/09



NO.	SPC P/N		ITEM	DESCRIPTION
	SPC23244	SPC23245		
1	1PC	1PC	CONNECTOR SUB ASS'Y	MM FERRULE ID: 0.127~0.132mm, CONCENTRICITY: 0.006MM
2	1PC	1PC	CRIMP TUBE ASS'Y	AL & PLASTIC
3	1PC	---	BOOT	PLASTIC, COLOR=BEIGE, ID: 3.2MM
	---	1PC		PLASTIC, COLOR=BEIGE, ID: 2.2MM

FEATURES:
-MEETS EIA/TIA 604-10 STANDARDS

SPECIFICATIONS:
-STABLE PERFORMANCE
<0.2 dB TYPICAL MM
<0.15 dB TYPICAL SM
-OPERATING TEMPERATURE: -20°C~70°C
-STORAGE TEMPERATURE: -40°C~80°C

DISCLAIMER:
ALL STATEMENTS AND TECHNICAL INFORMATION CONTAINED HEREIN ARE BASED UPON INFORMATION AND/OR TESTS WE BELIEVE TO BE ACCURATE AND RELIABLE. SINCE CONDITIONS OF USE ARE BEYOND OUR CONTROL, THE USER SHALL DETERMINE THE SUITABILITY OF THE PRODUCT FOR THE INTENDED USE AND ASSUME ALL RISK AND LIABILITY WHATSOEVER IN CONNECTION THEREWITH.

TOLERANCES:
UNLESS OTHERWISE SPECIFIED, DIMENSIONS ARE FOR REFERENCE PURPOSES ONLY.

DRAWN BY:	DATE:
Jason Nash	01/14/09
CHECKED BY:	DATE:
JWM	01/14/09
APPROVED BY:	DATE:
JWM	01/14/09

DRAWING TITLE: LC PRE-ASSY CONN MM SIMPLEX			
SIZE A	DWG. NO. Ta-1056	ELECTRONIC FILE TA-1056.DWG	REV A
SCALE: NTS	U.O.M.: INCHES [mm]	SHEET: 1 OF 1	