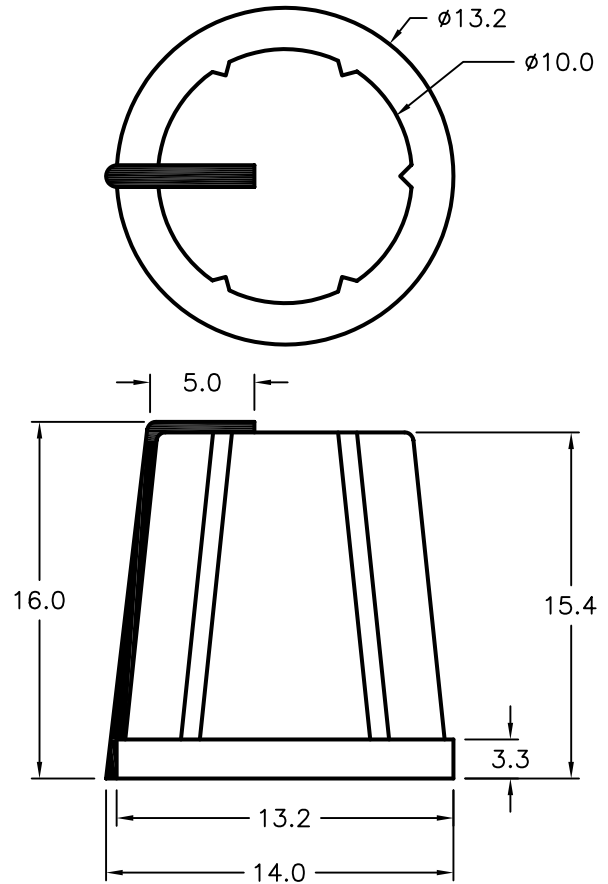
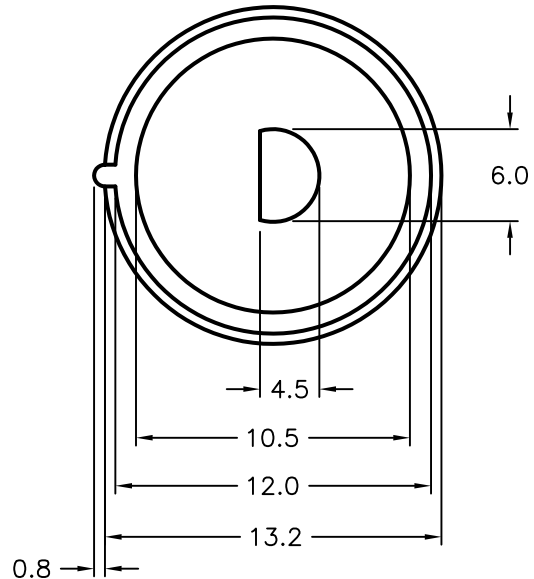


DCP #	REV	DESCRIPTION	DRAWN	DATE	CHECKD	DATE	APPRVD	DATE
1933	A	RELEASED	EO	09/07/06	SA	09/13/06	HO	09/13/06


 RoHS
Compliant

SPECIFICATIONS:

1. Body Material: Rubber, Gray
2. Indicator Material: PP

Multicomp P/N	Indicator Color
MC21068	Red
MC21069	Blue
MC21070	Gray
MC21071	Black



SPC-F004.DWG

TOLERANCES: UNLESS OTHERWISE SPECIFIED, DIMENSIONS ARE FOR REFERENCE PURPOSES ONLY.	DRAWN BY:	DATE:	DRAWING TITLE:				
	EKLAS ODISH	09/07/06	Knob, Knurled Tapered Sides, Top/Side PP Colored Indicator Line, D Shape Shaft, Push On				
	CHECKED BY:	DATE:	SIZE	DWG. NO.	ELECTRONIC FILE	REV	
	SAMI ALNADI	09/13/06	A	TA-790	TA-790.DWG	A	
APPROVED BY:	DATE:	SCALE: NTS		U.O.M.: MILLIMETERS		SHEET: 1 OF 1	
HISHAM ODISH	09/13/06						

ALL RIGHTS RESERVED. NO PORTION OF THIS PUBLICATION, WHETHER IN WHOLE OR IN PART CAN BE REPRODUCED WITHOUT THE EXPRESS WRITTEN CONSENT OF SPC TECHNOLOGY. DISCLAIMER: ALL STATEMENTS AND TECHNICAL INFORMATION CONTAINED HEREIN ARE BASED UPON INFORMATION AND/OR TESTS WE BELIEVE TO BE ACCURATE AND RELIABLE. SINCE CONDITIONS OF USE ARE BEYOND OUR CONTROL, THE USER SHALL DETERMINE THE SUITABILITY OF THE PRODUCT FOR THE INTENDED USE AND ASSUME ALL RISK AND LIABILITY WHATSOEVER IN CONNECTION THEREWITH.