



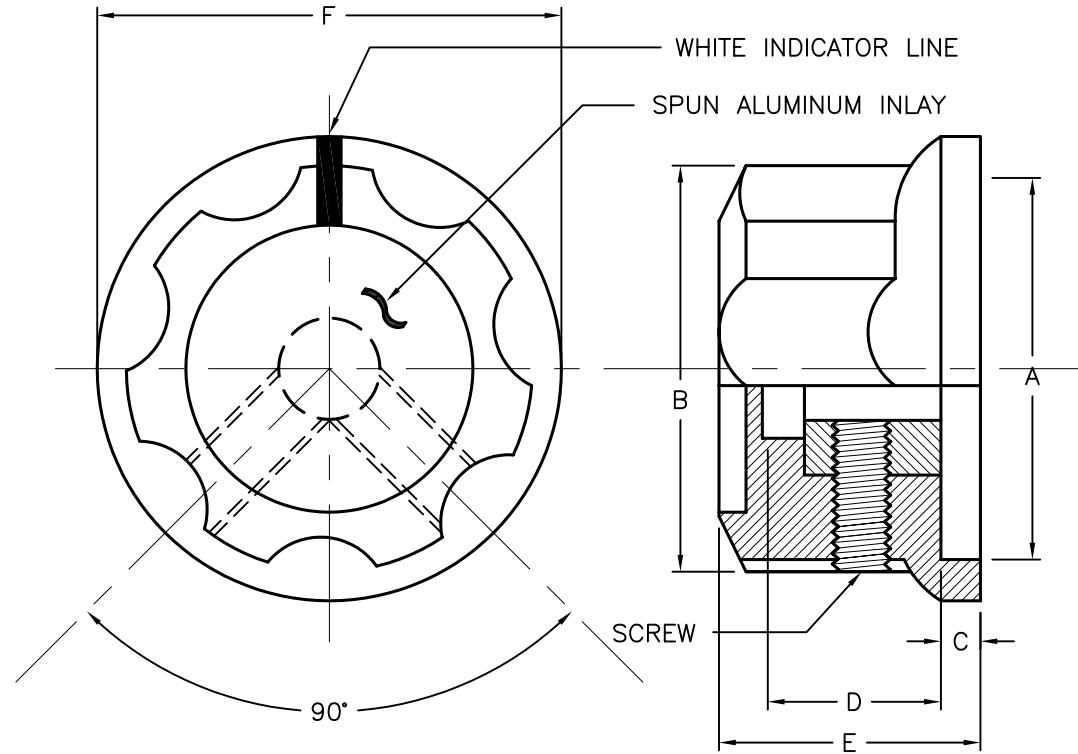
ALL RIGHTS RESERVED. NO PORTION OF THIS PUBLICATION, WHETHER IN WHOLE OR IN PART CAN BE REPRODUCED WITHOUT THE EXPRESS WRITTEN CONSENT OF SPC TECHNOLOGY.

SPC-F005.DWG

REVISIONS

DOC. NO. SPC-F005 * Effective: 7/8/02 * DCP No: 1398

DCP #	REV	DESCRIPTION	DRAWN	DATE	CHECKD	DATE	APPRVD	DATE
1933	A	RELEASED	EO	09/07/06	SA	09/13/06	HO	09/13/06



Multicomp P/N	A	B	C	D	E	F	Screw
MC21053	ø31.0	38.0	3.0	14.4	20.3	45.0	M4 x 2P
MC21052	ø24.8	29.5	4.0	13.7	16.4	33.0	M4 x 1P
MC21051	ø22.0	24.0	3.0	13.7	16.0	27.0	M4 x 1P
MC21050	ø13.8	16.0	2.0	10.0	12.0	20.0	M4 x 1P

SPECIFICATIONS:

1. MATERIAL: PLASTIC
2. SHAFT HOLE: 6.4 MILLIMETERS (W/SCREW)

DISCLAIMER:
ALL STATEMENTS AND TECHNICAL INFORMATION CONTAINED HEREIN ARE BASED UPON INFORMATION AND/OR TESTS WE BELIEVE TO BE ACCURATE AND RELIABLE. SINCE CONDITIONS OF USE ARE BEYOND OUR CONTROL, THE USER SHALL DETERMINE THE SUITABILITY OF THE PRODUCT FOR THE INTENDED USE AND ASSUME ALL RISK AND LIABILITY WHATSOEVER IN CONNECTION THEREWITH.

TOLERANCES:
UNLESS OTHERWISE SPECIFIED, DIMENSIONS ARE FOR REFERENCE PURPOSES ONLY.

DRAWN BY:	DATE:
EKLAS ODISH	09/07/06
CHECKED BY:	DATE:
SAMI ALNADI	09/13/06
APPROVED BY:	DATE:
HISHAM ODISH	09/13/06

DRAWING TITLE: Dial Type Knobs, Knurled Sides, W/Skirt, Top/Side Indicator Line, Set Screw Mount			
SIZE	DWG. NO.	ELECTRONIC FILE	REV
A	TA-787	TA-787.DWG	A
SCALE: NTS	U.O.M.: MILLIMETERS	SHEET: 1 OF 1	