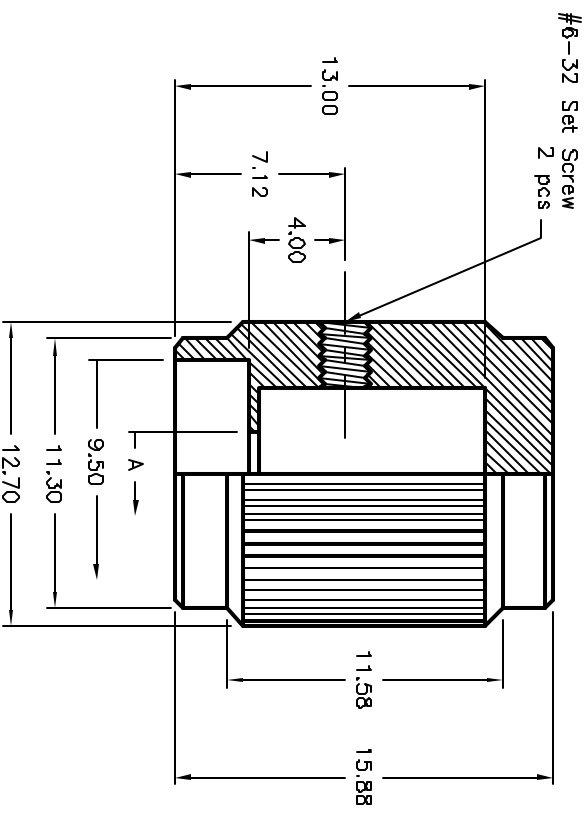
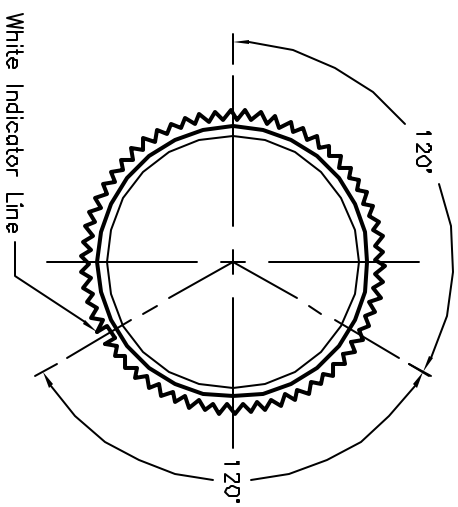


RoHS
Compliant

ALL RIGHTS RESERVED. NO PORTION OF THIS PUBLICATION, WHETHER IN WHOLE OR IN PART CAN BE REPRODUCED WITHOUT THE EXPRESS WRITTEN CONSENT OF SPC TECHNOLOGY.

SPC-F006.DWG

REVISONS		DWG. NO. SPC-F006	Effective 7/8/02	DWG. NO. 1308			
DWG #	REV	DESCRIPTION	DATE	CHECKD	DATE	APPRVD	DATE
1933	A	RELEASED	09/07/06	JN	03/24/08	JN	03/24/08



- Specifications:**
1. Material: Aluminum
 2. Anodized: Black

Multicomp P/N	A
MC21038	6.40
MC21039	3.20

DISCLAIMER:
ALL STATEMENTS AND TECHNICAL INFORMATION CONTAINED HEREIN ARE BASED UPON INFORMATION AND/OR TESTS WE BELIEVE TO BE ACCURATE AND RELIABLE. SINCE CONDITIONS OF USE ARE BEYOND OUR CONTROL, THE USER SHALL DETERMINE THE SUITABILITY OF THE PRODUCT FOR THE INTENDED USE AND ASSUME ALL RISK AND LIABILITY WHATSOEVER IN CONNECTION THEREWITH.

TOLERANCES:
UNLESS OTHERWISE SPECIFIED, DIMENSIONS ARE FOR REFERENCE PURPOSES ONLY.

DRAWN BY:	DR. JASON NASH	DATE:	03/24/08
CHECKED BY:	JASON NASH	DATE:	03/24/08
APPROVED BY:	JASON NASH	DATE:	03/24/08

DRAWING TITLE:			
Dial Type Knobs, Knurled Sides, Side Indicator Line, Solid Aluminum			
SIZE	DWG. NO.	ELECTRONIC FILE	REV
A	TA-785	TA-785.DWG	A
SCALE:	NTS	U.O.M.: MILLIMETERS	SHEET: 1 OF 1