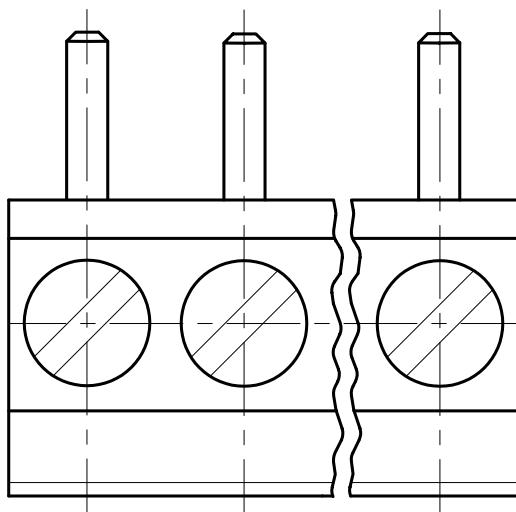
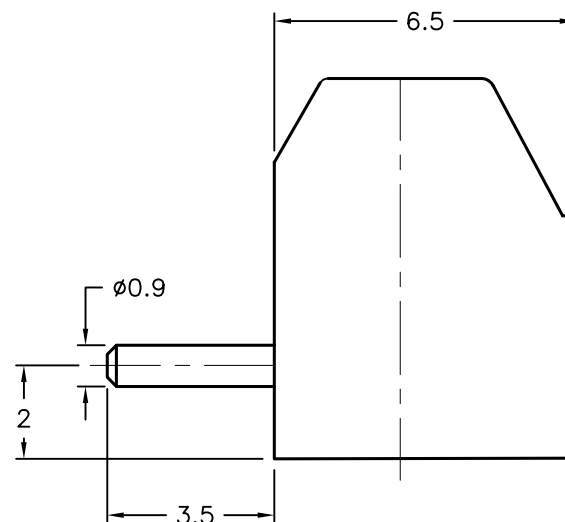
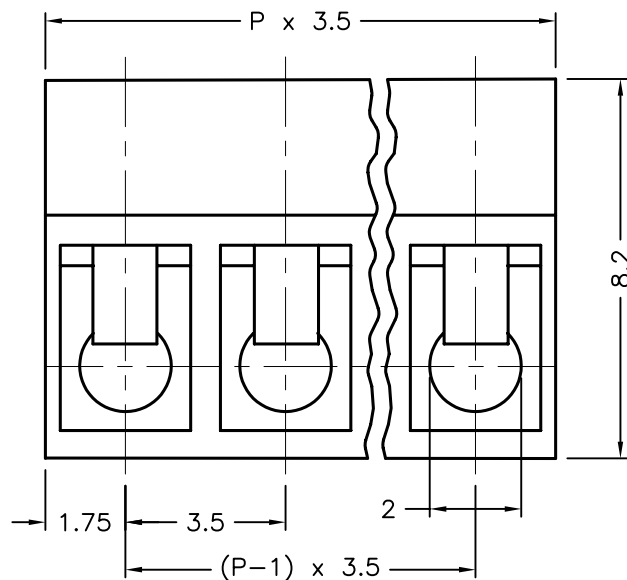


REVISIONS

DCP #	REV	DESCRIPTION	DRAWN	DATE	CHECKD	DATE	APPRVD	DATE
1878	A	RELEASED	EO	05/02/06	TL	06/19/06	HO	06/19/06



SPC Type No.	Poles (P)
SPC15633	2
SPC15634	4
SPC15635	6
SPC15636	7

**Specifications:**

- Rated Voltage: 125V
- Rated Current: 6A
- Test Voltage: 1.25kV
- PCB Hole Diameter: 1.2mm
- Insulating Material: PA
- Flammability Class: UL94V-0
- Temperature Range: -30°C to +105°C
- Block Material: CuZn
- Color: Gray

DISCLAIMER:  
ALL STATEMENTS AND TECHNICAL INFORMATION CONTAINED HEREIN ARE BASED UPON INFORMATION AND/OR TESTS WE BELIEVE TO BE ACCURATE AND RELIABLE. SINCE CONDITIONS OF USE ARE BEYOND OUR CONTROL, THE USER SHALL DETERMINE THE SUITABILITY OF THE PRODUCT FOR THE INTENDED USE AND ASSUME ALL RISK AND LIABILITY WHATSOEVER IN CONNECTION THEREWITH.

**TOLERANCES:**  
UNLESS OTHERWISE SPECIFIED, DIMENSIONS ARE FOR REFERENCE PURPOSES ONLY.

DRAWN BY:	DATE:
EKLAS ODISH	05/02/06
CHECKED BY:	DATE:
THOMAS LEE	06/19/06
APPROVED BY:	DATE:
HISHAM ODISH	06/19/06

DRAWING TITLE:  
**3.50 mm PCB Terminal Block, Wire Guard, Horizontal, Top Wire Entry**

SIZE	DWG. NO.	ELECTRONIC FILE	REV
A	TA-762	TA-762.DWG	A
SCALE: NTS	U.O.M.: mm	SHEET: 1 OF 1	