



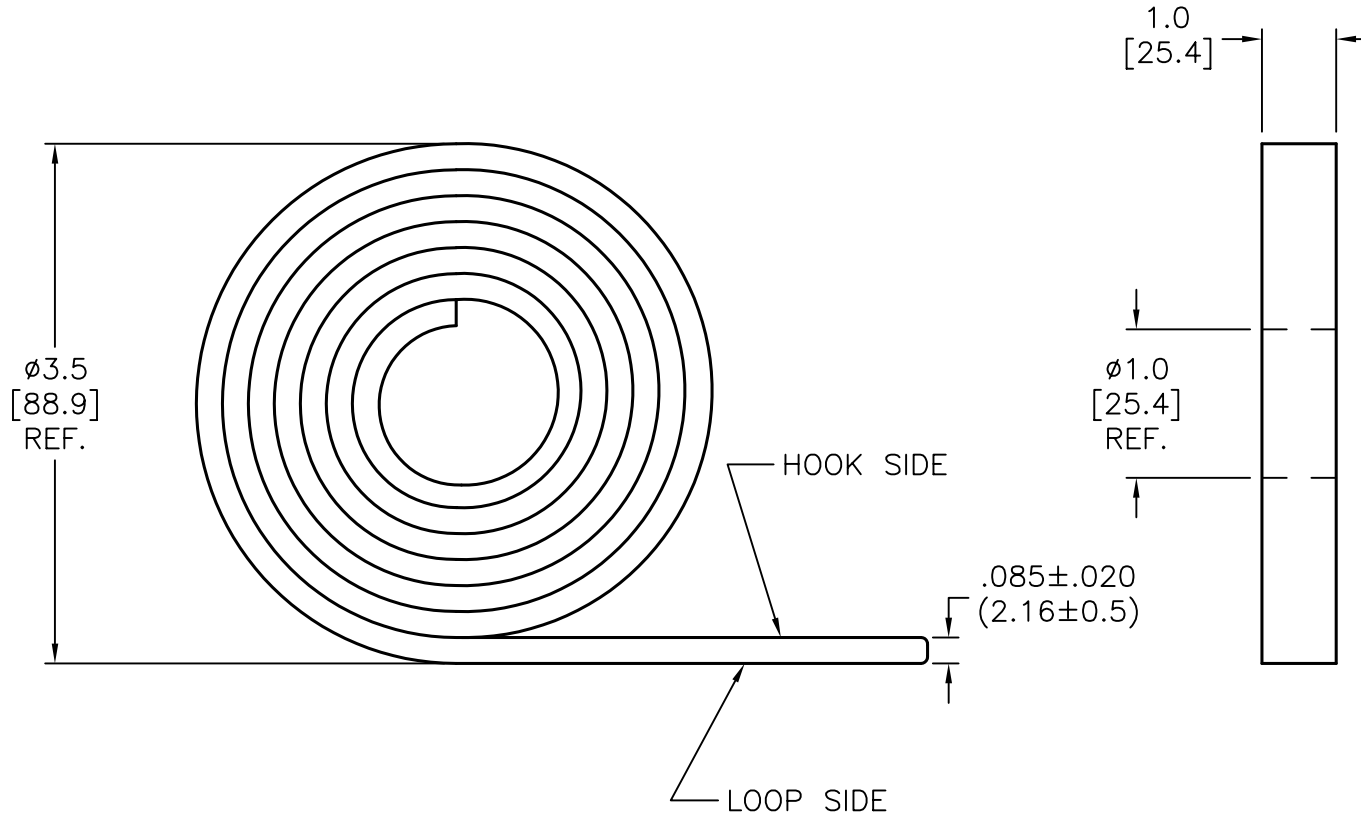
ALL RIGHTS RESERVED. NO PORTION OF THIS PUBLICATION, WHETHER IN WHOLE OR IN PART CAN BE REPRODUCED WITHOUT THE EXPRESS WRITTEN CONSENT OF SPC TECHNOLOGY.

SPC-F005.DWG

REVISIONS

DOC. NO. SPC-F005 * Effective: 7/8/02 * DCP No: 1398

DCP #	REV	DESCRIPTION	DRAWN	DATE	CHECKD	DATE	APPRVD	DATE
1570	A	RELEASED	JWM	9/12/03	HO	9/12/03	DJC	9/12/03
1865	B	RoHS ADDED	DCM	10/17/05	JWM	10/18/05	JWM	10/18/05



NOTES:

- Material: Low Density Polyethelene Hook, Nylon Knit Loop
- Operating Temp.: 120°F
- Length 15 Feet

SPC Type No.	Color
SPC5325	Black
SPC5326	Blue
SPC5327	Red
SPC5328	Green
SPC5329	Yellow

DISCLAIMER:
ALL STATEMENTS AND TECHNICAL INFORMATION CONTAINED HEREIN ARE BASED UPON INFORMATION AND/OR TESTS WE BELIEVE TO BE ACCURATE AND RELIABLE. SINCE CONDITIONS OF USE ARE BEYOND OUR CONTROL, THE USER SHALL DETERMINE THE SUITABILITY OF THE PRODUCT FOR THE INTENDED USE AND ASSUME ALL RISK AND LIABILITY WHATSOEVER IN CONNECTION THEREWITH.

TOLERANCES:
UNLESS OTHERWISE SPECIFIED, DIMENSIONS ARE FOR REFERENCE PURPOSES ONLY.

DRAWN BY:	DATE:
Jeff McVicker	9/12/03
CHECKED BY:	DATE:
Hisham Odish	9/12/02
APPROVED BY:	DATE:
Daniel Carey	9/12/03

DRAWING TITLE: Hook and Loop Rolls			
SIZE	DWG. NO.	ELECTRONIC FILE	REV
A	TA-580	TA-580.dwg	B
SCALE: NTS	U.O.M.: INCHES [mm]	SHEET: 1 OF 1	