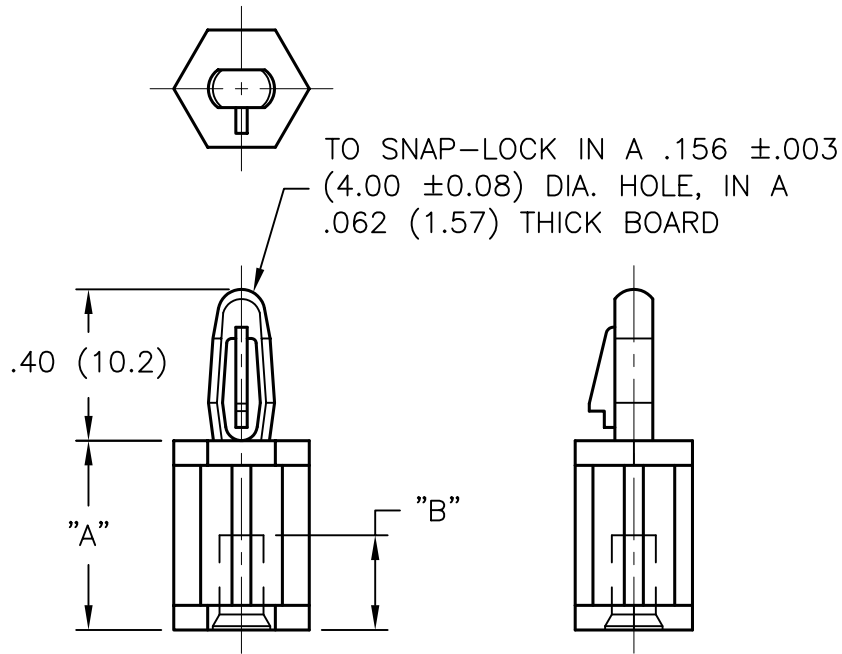


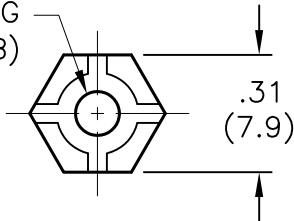
REVISIONS

| DCP # | REV | DESCRIPTION | DRAWN | DATE | CHECKD | DATE | APPRVD | DATE |
|-------|-----|----------------------|-------|----------|--------|----------|--------|----------|
| 811 | C | Renamed - was SPCS-* | JWM | 8/24/01 | JC | 9/14/01 | JC | 9/14/01 |
| 1865 | D | RoHS ADDED | DCM | 10/17/05 | JWM | 10/18/05 | JWM | 10/18/05 |



| PART NO. | DIM "A" | DIM "B" |
|----------|--------------|---------------|
| SPCS-4 | $1/4$ (6.4) | $13/64$ (5.2) |
| SPCS-6 | $3/8$ (9.5) | $5/16$ (7.9) |
| SPCS-8 | $1/2$ (12.7) | |
| SPCS-12 | $3/4$ (19.1) | |
| SPCS-14 | $7/8$ (22.2) | |

FOR #6 (M3.5) SELF-TAPPING SCREW (TYPE B)



NOTES:

1. MATERIAL: NYLON 6/6
2. COLOR: NATURAL
3. FLAMMABILITY RATING: UL94V-2

DISCLAIMER: ALL STATEMENTS AND TECHNICAL INFORMATION CONTAINED HEREIN ARE BASED UPON INFORMATION AND/OR TESTS WE BELIEVE TO BE ACCURATE AND RELIABLE. SINCE CONDITIONS OF USE ARE BEYOND OUR CONTROL, THE USER SHALL DETERMINE THE SUITABILITY OF THE PRODUCT FOR THE INTENDED USE AND ASSUME ALL RISK AND LIABILITY WHATSOEVER IN CONNECTION THEREWITH.

TOLERANCES:
Unless Otherwise Specified
Fractional Tolerance = $\pm 1/64$

| | |
|--------------|---------|
| DRAWN BY: | DATE: |
| JC | 9/23/91 |
| CHECKED BY: | DATE: |
| JC | 9/23/01 |
| APPROVED BY: | DATE: |
| JC | 9/23/01 |

| | | | |
|--|---------------------------|--------------------------------------|-----------------|
| DRAWING TITLE: Screw-Mount Circuit Board Support | | | |
| SIZE A | DWG. NO. TA-393 | ELECTRONIC FILE TA-393.dwg | REV D |
| SCALE: NTS | U.O.M.: INCHES [mm] | SHEET: 1 OF 1 | |