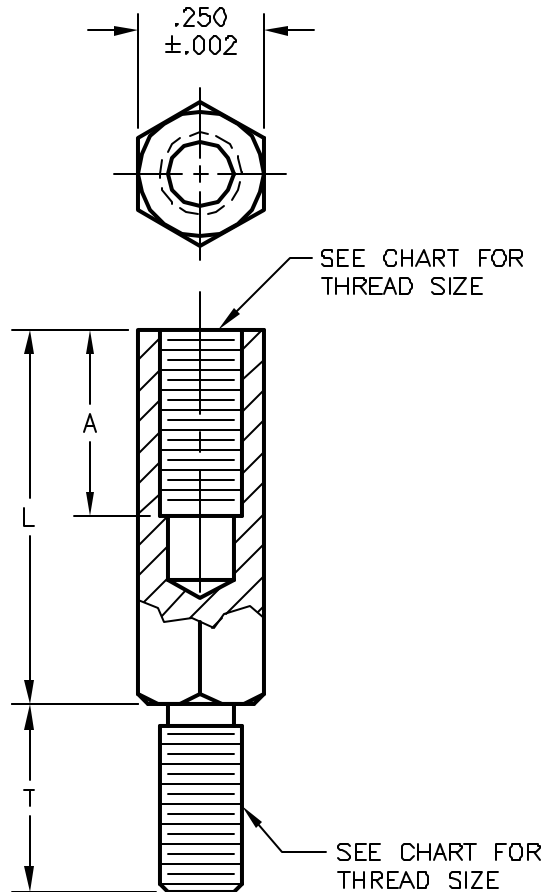


ALL RIGHTS RESERVED. NO PORTION OF THIS PUBLICATION, WHETHER IN WHOLE OR IN PART CAN BE REPRODUCED WITHOUT THE EXPRESS WRITTEN CONSENT OF SPC TECHNOLOGY.

REVISIONS

DOC. NO. SPC-F005 * Effective: 12/21/98 * DCP No: 880

DCP #	REV	DESCRIPTION	DRAWN	DATE	CHECKD	DATE	APPRVD	DATE
564	A	RELEASED	D.J.C.	1/21/99	JC	1/22/99	JWM	1/29/99
914	B	CAHNGE TO TA-239	HYO	3/21/00	JC	3/21/00	JC	3/21/00



SPC TYPE NO.	LENGTH (L)	INTERNAL LENGTH (A)	EXTERNAL LENGTH (T)	THREAD SIZE
2731	1/4 (.250)	.130/.150	3/16 (.187)	4-40
2713	3/8 (.375)	1/4 (.250)		
2714	1/2 (.500)	1/4 (.250)		
2715	5/8 (.625)			
2716	3/4 (.750)			
2717	7/8 (.875)			
2718	1 (1.000)	3/8 (.375)	1/4 (.250)	6-32
2732	1/4 (.250)			
2719	3/8 (.375)			
2720	1/2 (.500)			
2721	5/8 (.625)			
2722	3/4 (.750)			
2723	7/8 (.875)	3/8 (.375)	3/8 (.375)	8-32
2724	1 (1.000)			
2725	3/8 (.375)			
2726	1/2 (.500)			
2727	5/8 (.625)			
2728	3/4 (.750)			
2729	7/8 (.875)	1 (1.000)		
2730	1 (1.000)			

SPECIFICATIONS:

1. MATERIAL: ALUMINUM
- 2.. FINISH: CLEAR IRIDITE

DISCLAIMER
 ALL STATEMENTS AND TECHNICAL INFORMATION CONTAINED HEREIN ARE BASED UPON INFORMATION AND/OR TESTS WE BELIEVE TO BE ACCURATE AND RELIABLE. SINCE CONDITIONS OF USE ARE BEYOND OUR CONTROL, THE USER SHALL DETERMINE THE SUITABILITY OF THE PRODUCT FOR THE INTENDED USE AND ASSUME ALL RISK AND LIABILITY WHATSOEVER IN CONNECTION THEREWITH.



SPC TECHNOLOGY

TOLERANCES UNLESS OTHERWISE SPECIFIED DECIMAL ± .005	DRAWN BY:		DATE:		DRAWING TITLE:			
	DANIEL CAREY		1/21/99		HEX MALE FEMALE STANDOFF			
	CHECKED BY:		DATE:		SIZE	DWG. NO.	ELECTRONIC FILE	REV
	JOHN COLE		1/22/99		A	TA-239	TA-239.DWG	B
	APPROVED BY:		DATE:		SCALE: NTS		U.O.M.: INCHES	
		JEFF MCVICKER		1/29/99		SHEET: 1 OF 1		