



ALL RIGHTS RESERVED. NO PORTION OF THIS PUBLICATION, WHETHER IN WHOLE OR IN PART CAN BE REPRODUCED WITHOUT THE EXPRESS WRITTEN CONSENT OF SPC TECHNOLOGY.

SPC-F008.DWG

REVISIONS

DOC. NO. SPC-F008 * Effective: 7/8/02 * DCP No: 1398

DCP #	REV	DESCRIPTION	DRAWN	DATE	CHECKD	DATE	APPRVD	DATE
1939	A	Released	JN	11/13/08	JWM	11/13/08	JWM	11/13/08



RoHS Compliant

ELECTRICAL

- Frequency Range: DC-3 GHz
- Nominal Impedance: 50 Ohm
- Working Voltage: 335 Volts Max.
- Proof Voltage: 750 Volts
- VSWR: 1.24 Max.

MATERIALS

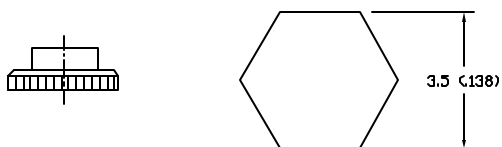
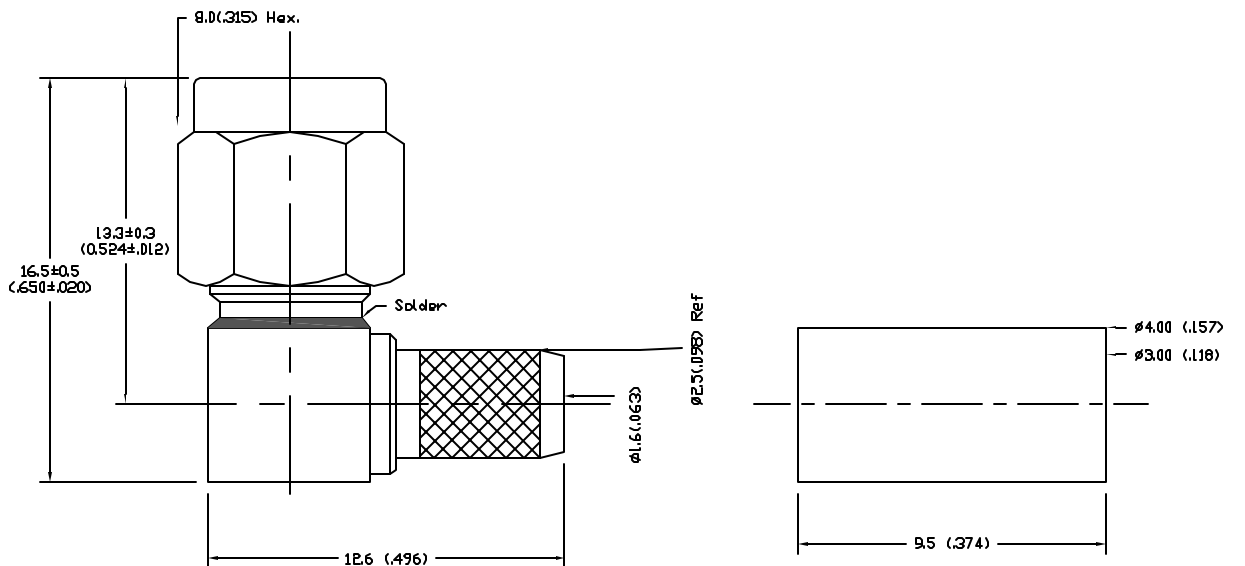
- Bodies: Brass PER JIS-C3604
- Center Contact: Brass PER JIS-C3604
- Insulation: Teflon PER ASTM D1457 and ASTM D1710
- Crimp Ferrule: Brass PER JIS-C2700

MECHANICAL

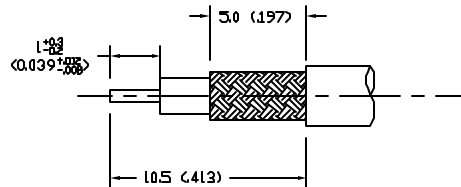
- Interface in accordance with: MIL-STD-348A
- For use with 174U or similar style cable
- Cable attached: outer: crimp, inner: solder
- Recommended coupling torque: 3 to 5 in-lbs.
- Cable retention 15 lbs min
- Crimp size required: Contact: solder
Ferrule: 3.5 (.215) hex. crimp tool

ENVIRONMENTAL

- Operating Temperature Range: -65°C to +165°C



HEX. DEMINSION



STRIPPING DEMINSION

DESCRIPTION	MATERIAL	Q'TY	FINISH
Cap	Brass	1	Gold 3 μ" Min.
Body	Brass	1	Gold 3 μ" Min.
Center Contact	Brass	1	Gold 50 μ" Min.
Body II	Brass	1	Gold 3 μ" Min.
Insulation I	Teflon	1	None
Washer	Stainless Steel	1	None
Gasket	Silicone	1	Red
Shell	Brass	1	Gold 3 μ" Min.
Crimp Ferrule	Brass	1	Gold

DISCLAIMER:
ALL STATEMENTS AND TECHNICAL INFORMATION CONTAINED HEREIN ARE BASED UPON INFORMATION AND/OR TESTS WE BELIEVE TO BE ACCURATE AND RELIABLE. SINCE CONDITIONS OF USE ARE BEYOND OUR CONTROL, THE USER SHALL DETERMINE THE SUITABILITY OF THE PRODUCT FOR THE INTENDED USE AND ASSUME ALL RISK AND LIABILITY WHATSOEVER IN CONNECTION THEREWITH.

TOLERANCES:
UNLESS OTHERWISE SPECIFIED, DIMENSIONS ARE FOR REFERENCE PURPOSES ONLY.

DRAWN BY:	DATE:
Jason Nash	11/13/08
CHECKED BY:	DATE:
Jeff McVicker	11/13/08
APPROVED BY:	DATE:
Jeff McVicker	11/13/08

DRAWING TITLE: SMA Right Angle Plug Crimp			
SIZE A	DWG. NO. MC23551	ELECTRONIC FILE 96M8835.dwg	REV A
SCALE: NTS	U.O.M.: INCHES [mm]	SHEET: 1 OF 1	