



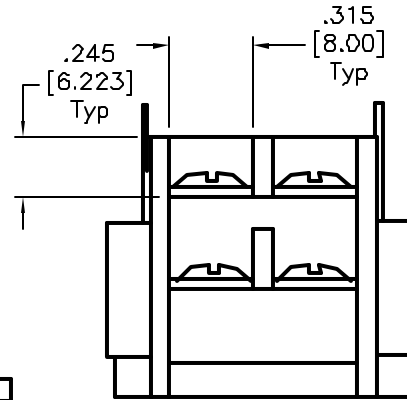
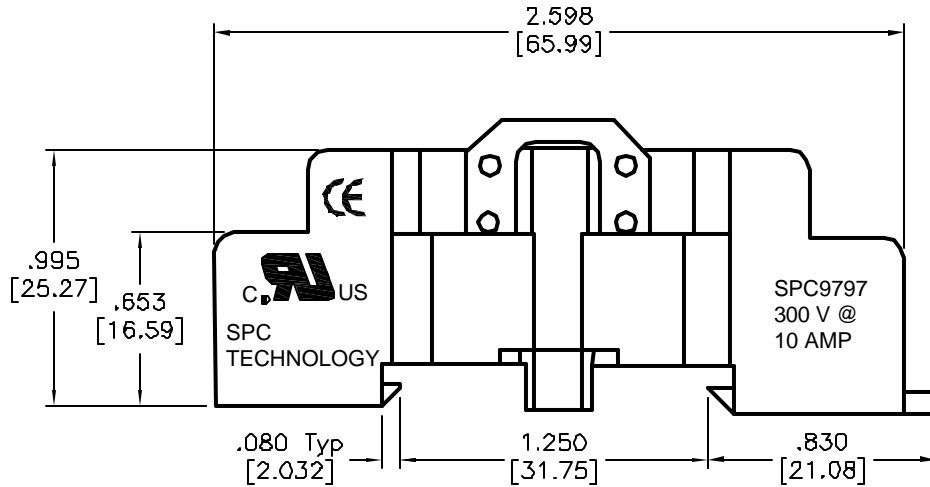
ALL RIGHTS RESERVED. NO PORTION OF THIS PUBLICATION, WHETHER IN WHOLE OR IN PART CAN BE REPRODUCED WITHOUT THE EXPRESS WRITTEN CONSENT OF SPC TECHNOLOGY.

SPC-F005.DWG

REVISIONS

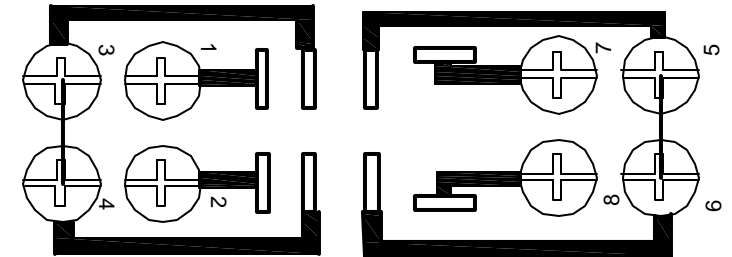
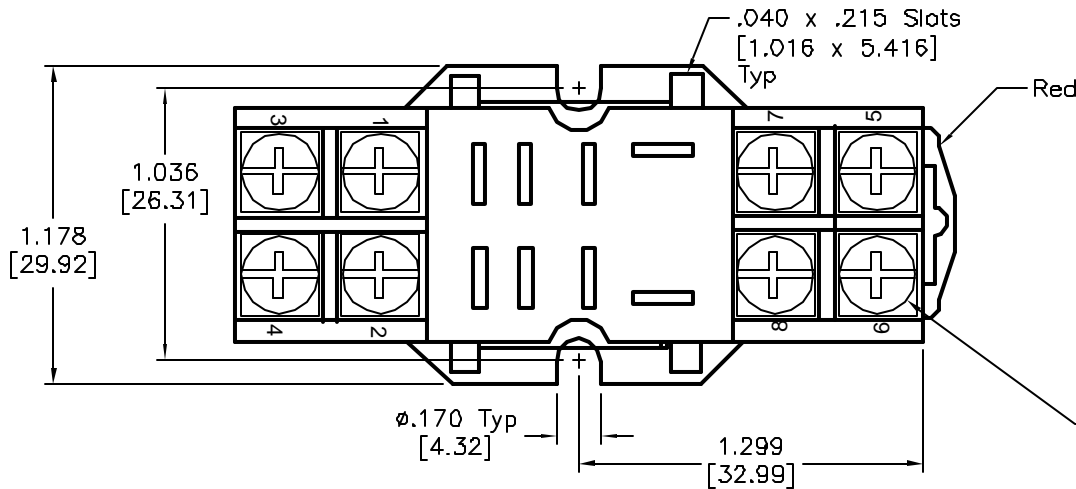
DOC. NO. SPC-F005 \* Effective: 7/8/02 \* DCP No: 1398

DCP #	REV	DESCRIPTION	DRAWN	DATE	CHECKD	DATE	APPRVD	DATE
1812	A	RELEASED	JWM	12/18/02	JN	2/18/08	JN	2/18/08



NOTES:

1. Electrical Rating: 300Vrms, 7 amps
2. Dielectric Withstanding Voltage: 1600Vrms Min. between all electrical elements of opposite polarity including a metal mounting surface
3. Socket: Grey, molded, break resistant thermoplastic  
DIN Rail Locking Clip: Red plastic
4. Terminal connections are capable of accepting two #12AWG or smaller wires, one wire on each side of clamping screw



Wiring Diagram

(Top View)

**DISCLAIMER:**  
ALL STATEMENTS AND TECHNICAL INFORMATION CONTAINED HEREIN ARE BASED UPON INFORMATION AND/OR TESTS WE BELIEVE TO BE ACCURATE AND RELIABLE. SINCE CONDITIONS OF USE ARE BEYOND OUR CONTROL, THE USER SHALL DETERMINE THE SUITABILITY OF THE PRODUCT FOR THE INTENDED USE AND ASSUME ALL RISK AND LIABILITY WHATSOEVER IN CONNECTION THEREWITH.

TOLERANCES:

Tolerances  
Unless Otherwise  
Specified  
Decimal: ±.005  
Fractional: ±.010

DRAWN BY:	DATE:
Jeff McVicker	12/18/02
CHECKED BY:	DATE:
Jason Nash	2/18/08
APPROVED BY:	DATE:
Jason Nash	2/18/08

DRAWING TITLE: <b>Surface/DIN Mount Relay Socket (2 Pole)</b>			
SIZE <b>A</b>	DWG. NO. <b>SPC9797</b>	ELECTRONIC FILE <b>95B7497.dwg</b>	REV <b>A</b>
SCALE: NTS	U.O.M.: INCHES [mm]	SHEET: 1 OF 1	