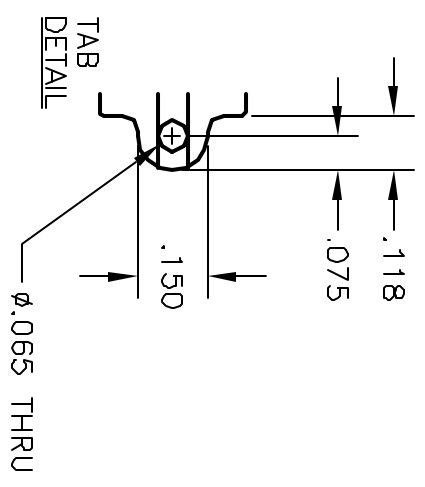
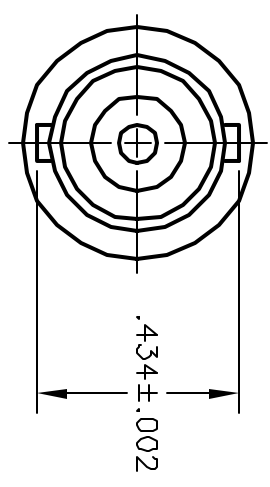
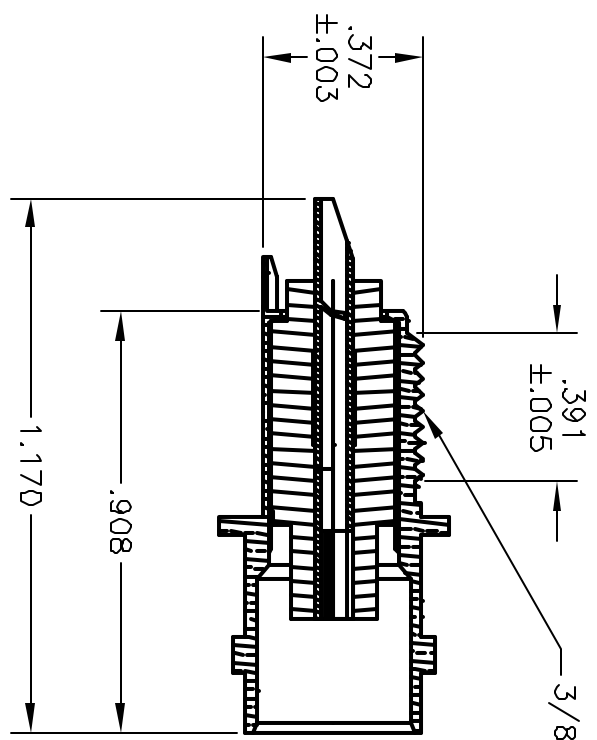
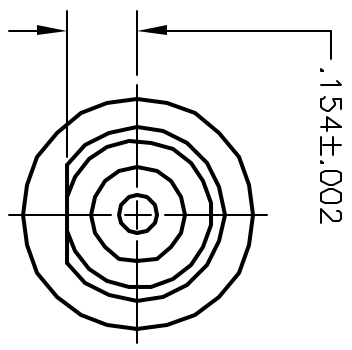


ALL RIGHTS RESERVED. NO PORTION OF THIS PUBLICATION, WHETHER IN WHOLE OR IN PART CAN BE REPRODUCED WITHOUT THE EXPRESS WRITTEN CONSENT OF SPC TECHNOLOGY.

REVISIONS		DOC. NO. SPC-FD05	Effective: 12/21/88	DCP No. B80	
DCP #	REV	DESCRIPTION	DRAWN DATE	CHECKD DATE	APPRVD DATE
755	A	RELEASED	J.C. 07/12/91		
	B	REDRAW	SAS 07/01/99	J.C. 07/07/99	J.C. 07/07/99



MATERIALS:

- BODY: ZINC
- CONTACT: BRASS
- SPRING WASHER: BERYLLIUM COPPER
- INSULATOR: DELRIN
- PLATING:
- BODY - NICKEL
- CONTACT - GOLD

DISCLAIMER
 ALL STATEMENTS AND TECHNICAL INFORMATION CONTAINED HEREIN ARE BASED UPON INFORMATION AND/OR TESTS WE BELIEVE TO BE ACCURATE AND RELIABLE. SINCE CONDITIONS OF USE ARE BEYOND OUR CONTROL, THE USER SHALL DETERMINE THE SUITABILITY OF THE PRODUCT FOR THE INTENDED USE AND ASSUME ALL RISK AND LIABILITY WHATSOEVER IN CONNECTION THEREWITH.

TOLERANCES:	
DECIMALS	ANGLES
.x ± .020	x' ± 1'
.xx ± .010	
.xxx ± .005	x'x' ± 0'.30"

DRAWN BY: J. COLE		DATE: 07/12/91	
CHECKED BY:		DATE:	
APPROVED BY:		DATE:	
DRAWING TITLE: CHASSIS MOUNT W/SOLDER TAB			
SIZE: A	DWG. NO.: CP-1094A/ST-50	ELECTRONIC FILE: 90N3218.DWG	REV: B
SCALE: NTS	U.O.M.: INCHES	SHEET: 1	OF 1

