



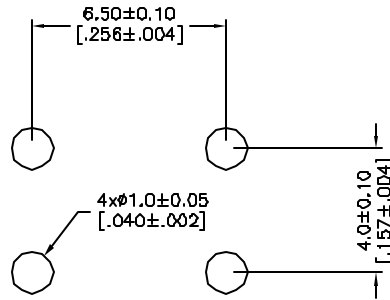
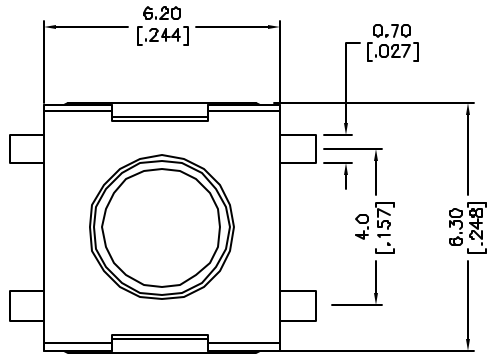
ALL RIGHTS RESERVED. NO PORTION OF THIS PUBLICATION, WHETHER IN WHOLE OR IN PART CAN BE REPRODUCED WITHOUT THE EXPRESS WRITTEN CONSENT OF SPC TECHNOLOGY.

SPC-F008.DWG

REVISIONS

DOC. NO. SPC-F005 * Effective: 7/8/02 * DCP No: 1398

DCP #	REV	DESCRIPTION	DRAWN	DATE	CHECKD	DATE	APPRVD	DATE
2032	A	Released	JN	03/05/09	JWM	03/05/09	JWM	03/05/09



P.C.B LAYOUT

SPECIFICATION

MECHANICAL

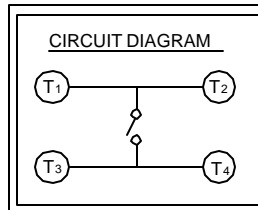
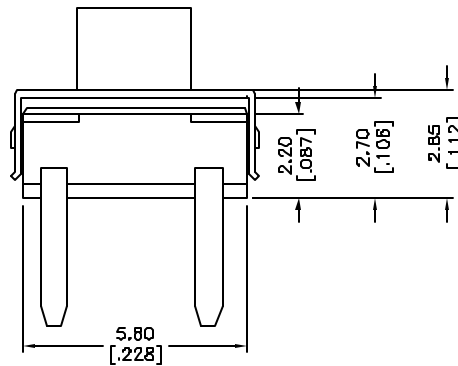
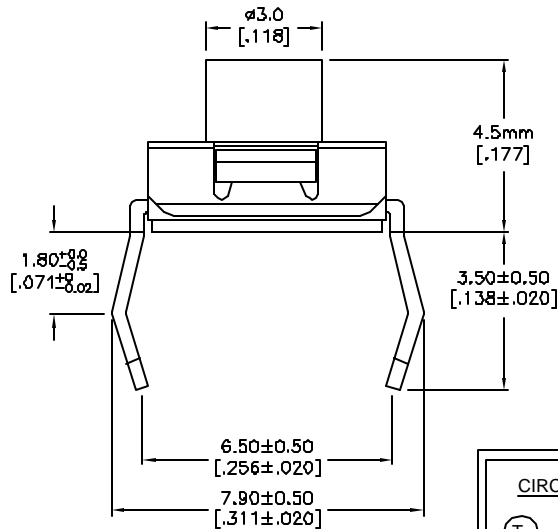
- Operation Force: 260gf
- Stop Strength: Max 3kgf vertical static load continuously for 15 sec.
- Stroke: 0.45±0.2mm
- Operation Temperature: -25°C to + 70°C
- Storage Temperature: -30°C to +80°C

ELECTRICAL

- Electrical Life: 500,000 cycles
- Rating: 50mA , 12 VDC
- Contact Resistance: 100m Ω max.
- Insulation Resistance: 100M Ω min. at 500VDC
- Dielectric Strength: 250VAC / 1 minute
- Contact Arrangement: 1 pole 1 throw

MATERIALS

- COVER: Stainless Steel
- BASE: UL94V-0 Nylon High-temp Thermoplastic
- CONTACT: Stainless Steel
- TERMINAL: Brass with silver plating



DISCLAIMER:
ALL STATEMENTS AND TECHNICAL INFORMATION CONTAINED HEREIN ARE BASED UPON INFORMATION AND/OR TESTS WE BELIEVE TO BE ACCURATE AND RELIABLE. SINCE CONDITIONS OF USE ARE BEYOND OUR CONTROL, THE USER SHALL DETERMINE THE SUITABILITY OF THE PRODUCT FOR THE INTENDED USE AND ASSUME ALL RISK AND LIABILITY WHATSOEVER IN CONNECTION THEREWITH.

TOLERANCES:
UNLESS OTHERWISE SPECIFIED, DIMENSIONS ARE FOR REFERENCE PURPOSES ONLY.

DRAWN BY:	DATE:
Jason Nash	03/05/09
CHECKED BY:	DATE:
Jeff McVicker	03/05/09
APPROVED BY:	DATE:
Jeff McVicker	03/05/09

DRAWING TITLE: Tactile Switch			
SIZE	DWG. NO.	ELECTRONIC FILE	REV
A	MC32892	67P3671.dwg	A
SCALE: NTS	U.O.M.: INCHES [mm]	SHEET: 1 OF 1	