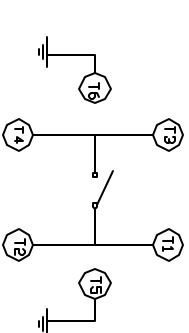
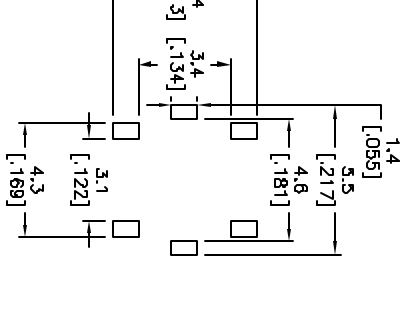


REVISIONS		DWG. NO.	SPC-F008	Effective	7/8/02	DWG. NO.	1308
DWG #	REV	DESCRIPTION	DATE	CHECKED	DATE	APPROVED	DATE
2032	A	Released	03/05/09	JMM	03/05/09	JMM	03/05/09



WITH GROUND CIRCUIT DIAGRAM



WITH GROUND P.C.B LAYOUT

SPECIFICATION

MECHANICAL

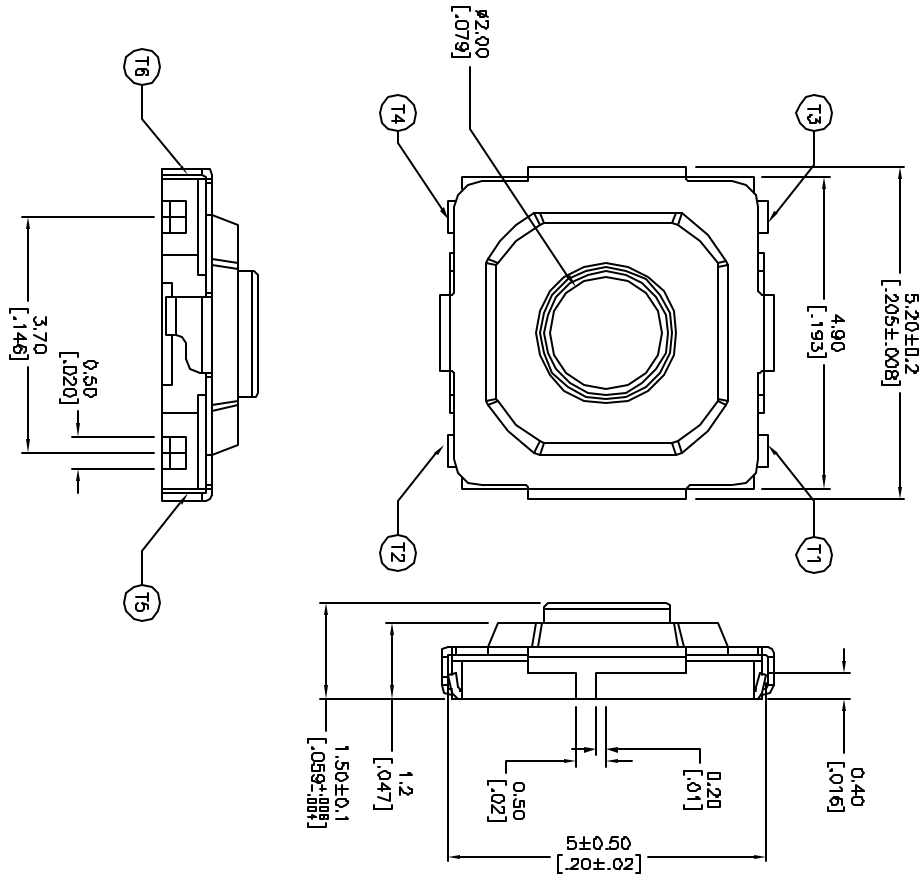
- Operation Force: 260 ± 50gf
- Stop Strength: Max. 3kgf vertical static load continuously for 15 seconds
- Stroke: 0.25 + 0.1mm -0.2mm
- Operation Temperature: -25°C to + 70°C
- Storage Temperature: -30°C to +80°C

ELECTRICAL

- Electrical Life: 200,000 cycles min.
- Rating: 50mA , 12VDC
- Contact Resistance: 100m Ωmax.
- Insulation Resistance: 100M Ωmin. at 500VDC
- Dielectric Strength: 250VAC / 1 minute
- Contact Arrangement: 1 pole 1 throw

MATERIALS

- COVER: Nickel Silver
- CONTACT DISC: Stainless steel with silver cladding.
- TERMINAL: Brass with silver plated.
- BASE: LCP High-temp Thermoplastic
Color: Black
- STEM: Brass with nickel plated
- TAPE: Teflon



DISCLAIMER:
ALL STATEMENTS AND TECHNICAL INFORMATION CONTAINED HEREIN ARE BASED UPON INFORMATION AND/OR TESTS WE BELIEVE TO BE ACCURATE AND RELIABLE. SINCE CONDITIONS OF USE ARE BEYOND OUR CONTROL, THE USER SHALL DETERMINE THE SUITABILITY OF THE PRODUCT FOR THE INTENDED USE AND ASSUME ALL RISK AND LIABILITY WHATSOEVER IN CONNECTION THEREWITH.

TOLERANCES:
UNLESS OTHERWISE SPECIFIED, DIMENSIONS ARE FOR REFERENCE PURPOSES ONLY.

DRAWN BY:	Jason Nash	DATE:	03/05/09
CHECKED BY:	Jeff Mavlicker	DATE:	03/05/09
APPROVED BY:	Jeff Mavlicker	DATE:	03/05/09

DRAWING TITLE:		Tactile Switch	
SIZE	DWG. NO.	ELECTRONIC FILE	REV
A	MC32840	67P3624.dwg	A
SCALE:	NTS	SHEET:	1 OF 1