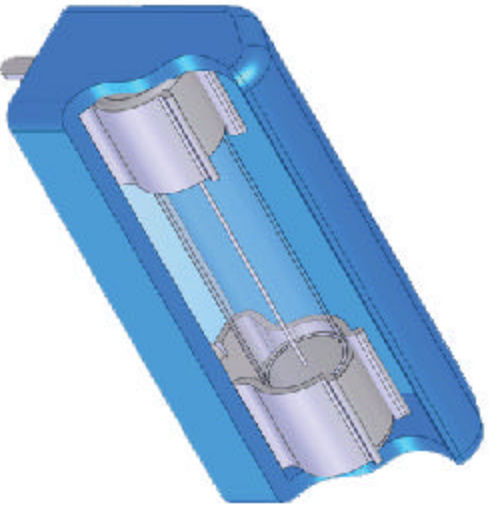


ALL RIGHTS RESERVED. NO PORTION OF THIS PUBLICATION, WHETHER IN WHOLE OR IN PART CAN BE REPRODUCED WITHOUT THE EXPRESS WRITTEN CONSENT OF SPC TECHNOLOGY.

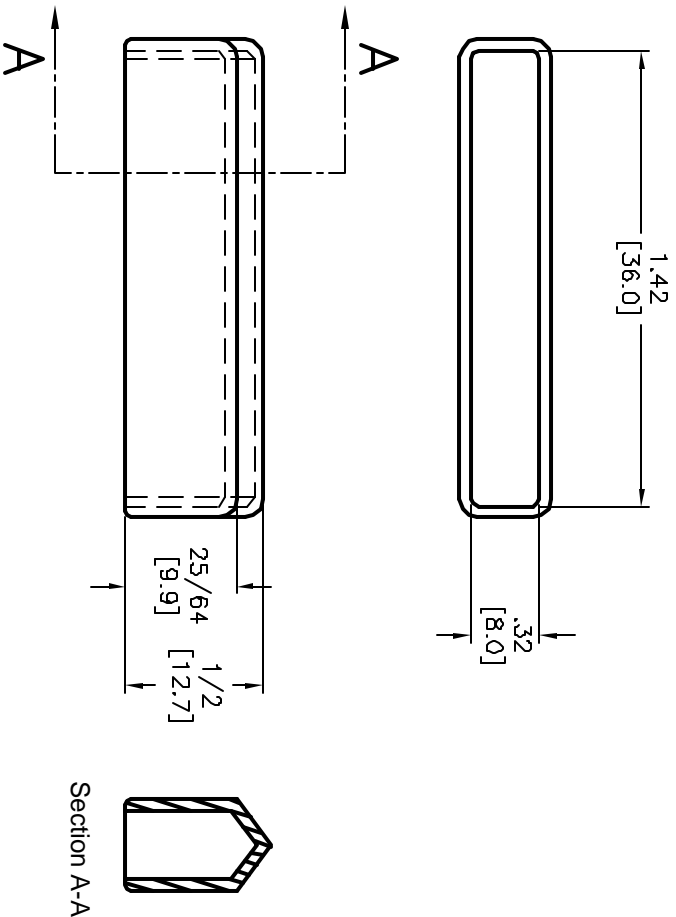
SPC-F008.DWG

REVISIONS		DWG. NO.	DATE	CHECKED	DATE	APPROVED	DATE
DWG #	REV	DESCRIPTION	DRAWN	DATE	CHECKED	DATE	APPROVED
1767	A	Released	JWM	3/16/05	JN	7/11/08	JN



Fuse and Holder not included

- NOTES:
1. MATERIAL: FLEXIBLE PVC
 2. COLOR: TRANSPARENT BLUE.
 3. Fits std $\frac{1}{4}$ x $\frac{1}{4}$ Fuse



Section A-A

TOLERANCES:

DISCLAIMER: ALL STATEMENTS AND TECHNICAL INFORMATION CONTAINED HEREIN ARE BASED UPON INFORMATION AND/OR TESTS WE BELIEVE TO BE ACCURATE AND RELIABLE. SINCE CONDITIONS OF USE ARE BEYOND OUR CONTROL, THE USER SHALL DETERMINE THE SUITABILITY OF THE PRODUCT FOR THE INTENDED USE AND ASSUME ALL RISK AND LIABILITY WHATSOEVER IN CONNECTION THEREWITH.

Tolerances: Unless Otherwise Specified:
 .XX = ±.020
 .XXX = ±.015
 Fractional = ±1/32
 Angles = ±1°

DRAWN BY:	DATE:	DRAWING TITLE:		ELECTRONIC FILE	REV
Jeff McVicker	3/16/05	Fuse Cover		50N135.dwg	A
CHECKED BY:	DATE:	SIZE	DWG. NO.		
Jason Nash	7/11/08	A	SPC4897		
APPROVED BY:	DATE:	SCALE:	NTS	SHEET:	1 OF 1
Jason Nash	7/11/08				