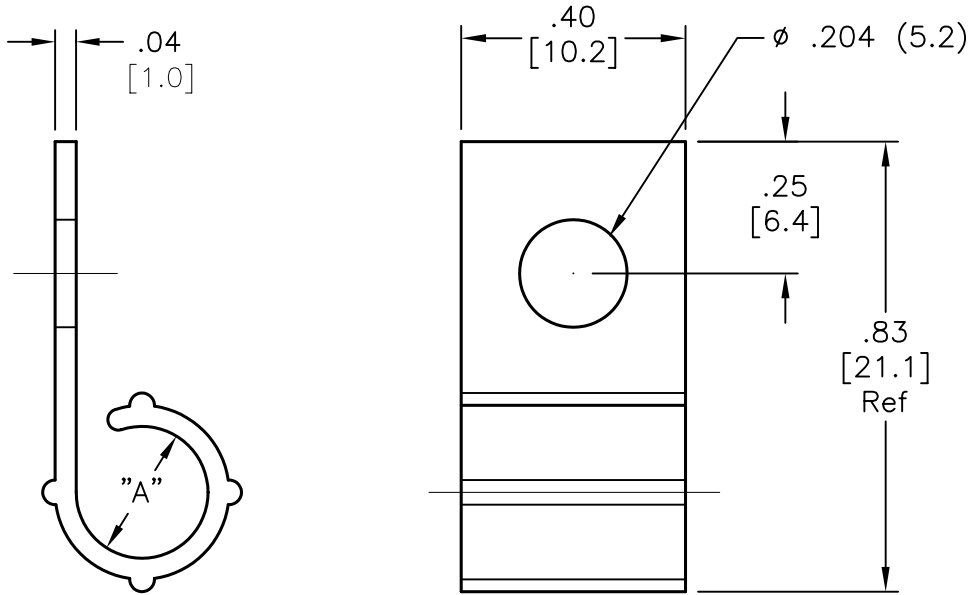


REVISIONS

DCP #	REV	DESCRIPTION	DRAWN	DATE	CHECKD	DATE	APPRVD	DATE
1272	D	Elect. file renamed	JWM	12/19/01	DJC	12/27/01	DJC	12/27/01
1865	E	RoHS ADDED	DCM	10/18/05	JWM	10/19/05	JWM	10/19/05



NOTES:

1. Hold Diameter "A": 1/4" [6.4mm]
2. MATERIAL: NYLON 6/6
3. COLOR: NATURAL
4. FLAMMABILITY RATING: UL94V-2
5. CONTINUOUS USE TEMPERATURE: -40°F(-40°C) TO 167°F(75°C)
6. FRACTIONAL TOLERANCE = 1/64

DISCLAIMER:
ALL STATEMENTS AND TECHNICAL INFORMATION CONTAINED HEREIN ARE BASED UPON INFORMATION AND/OR TESTS WE BELIEVE TO BE ACCURATE AND RELIABLE. SINCE CONDITIONS OF USE ARE BEYOND OUR CONTROL, THE USER SHALL DETERMINE THE SUITABILITY OF THE PRODUCT FOR THE INTENDED USE AND ASSUME ALL RISK AND LIABILITY WHATSOEVER IN CONNECTION THEREWITH.

TOLERANCES:
Tolerances: Unless
Otherwise Specified:
.XX = ±.010
.XXX = ±.005
Fractional = ±1/64
Angles = ±1°

DRAWN BY:	DATE:
C.M.D.	3/16/97
CHECKED BY:	DATE:
D.D.	3/16/97
APPROVED BY:	DATE:
D.D.	3/16/97

DRAWING TITLE:			
WIRE HARNESS CLIP			
SIZE	DWG. NO.	ELECTRONIC FILE	REV
A	EHC-4	37N2118.dwg	E
SCALE: NTS		U.O.M.: INCHES [mm]	SHEET: 1 OF 1