



REVISIONS

DOC. NO. SPC-F004 * Effective: 7/8/02 * DCP No: 1398

DCP #	REV	DESCRIPTION	DRAWN	DATE	CHECKD	DATE	APPRVD	DATE
1447	A	RELEASED	HO	1/19/04	JW	2/20/04	JC	2/20/04
1885	B	UPDATED TO ROHS COMPLIANCE	EO	02/03/06	HO	2/6/06	HO	2/6/06

Description:

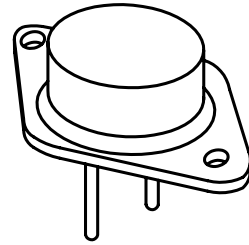
The 2N3055 is a silicon NPN transistors in a TO-3 type package designed for general purpose switching and amplifier applications.

Features:

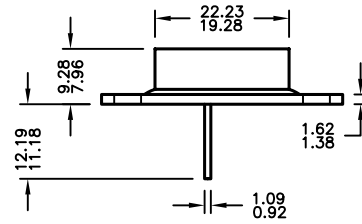
- DC Current Gain: $h_{FE} = 20 - 70 @ I_C = 4A$
- Collector-Emitter Saturation Voltage: $V_{CE(sat)} = 1.1V \text{ Max } @ I_C = 4A$
- Excellent Safe Operating Area

Absolute Maximum Ratings:

- Collector-Base Voltage, $V_{CB} = 100V$
- Collector-Emitter Voltage, $V_{CEO} = 60V$
- Collector-Emitter Voltage, $V_{CER} = 70V$
- Emitter-Base Voltage, $V_{EB} = 7V$
- Continuous Collector Current, $I_C = 15A$
- Base Current, $I_B = 7A$
- Total Device Dissipation ($T_C = +25^\circ C$), $P_D = 115W$
Derate above $25^\circ C = 0.657W/^\circ C$
- Operating Junction Temperature Range, $T_J = -65^\circ \text{ to } +200^\circ C$
- Storage Temperature Range, $T_{stg} = -65^\circ \text{ to } +200^\circ C$
- Thermal Resistance, Junction-to-Case, $R_{thJC} = 1.52^\circ C/W$

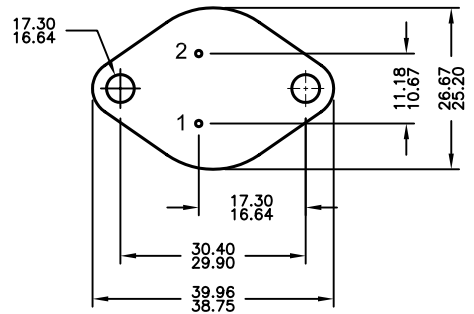
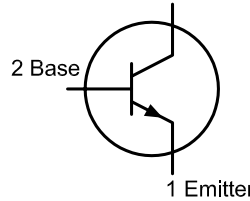


Pin 1 = Base
Pin 2 = Emitter
Collector (Case)



NPN

3 Collector



Electrical Characteristics: ($T_C = +25^\circ C$ unless otherwise specified)

Parameter	Symbol	Test Conditions	Min	Max	Unit
-----------	--------	-----------------	-----	-----	------

OFF Characteristics

Collector-Emitter Sustaining Voltage	$V_{CEO(sus)}$	$I_C = 200mA, I_B = 0, \text{ Note 1}$	60	-	V
	$V_{CER(sus)}$	$I_C = 200mA, R_{BE} = 100 \text{ Ohm}, \text{ Note 1}$	70	-	V
Collector Cutoff Current	I_{CEO}	$V_{CE} = 30V, I_B = 0$	-	0.7	mA
	I_{CEX}	$V_{CE} = 100V, V_{BE(off)} = 1.5V$	-	1	mA
		$V_{CE} = 100V, V_{BE(off)} = 1.5V, T_C = +150^\circ C$	-	5	mA
Emitter Cutoff Current	I_{EBO}	$V_{BE} = 7V, I_C = 0$	-	5	mA

ON Characteristics (Note 1)

DC Current Gain	h_{FE}	$V_{CE} = 4V, I_C = 4A$	20	70	-
		$V_{CE} = 4V, I_C = 10A$	5	-	-
Collector-Emitter Saturation Voltage	$V_{CE(sat)}$	$I_C = 4A, I_B = 400mA$	-	1.1	V
		$I_C = 10A, I_B = 3.3A$	-	3	V
Base-Emitter ON Voltage	$V_{BE(on)}$	$V_{CE} = 4V, I_C = 4A$	-	1.5	V

Second Breakdown Characteristics

Second Breakdown Collector Current w/Base Forward Biased	$I_{s/b}$	$V_{CE} = 40V, t = 1s; \text{ Non-repetitive}$	2.87	-	A
--	-----------	--	------	---	---

Dynamic Characteristics

Current Gain-Bandwidth Product	f_T	$V_{CE} = 4V, I_C = 1A,$	800	-	kHz
Small-Signal Current Gain	h_{fe}	$V_{CE} = 4V, I_C = 1A, f = 1kHz$	15	120	-
Small-Signal Current Gain Cutoff Frequency	f_{hfe}	$V_{CE} = 4V, I_C = 1A, f = 1kHz$	10	-	-

Note 1. Pulse test: Pulse Width $\leq 300\mu s$. Duty Cycle $\leq 2\%$.

SPC-F004.DWG

TOLERANCES: UNLESS OTHERWISE SPECIFIED, DIMENSIONS ARE FOR REFERENCE PURPOSES ONLY.	DRAWN BY:	DATE:	DRAWING TITLE:			
	HISHAM ODISH	1/19/04	Transistor, Bipolar, Metal, TO-3, NPN			
	CHECKED BY:	DATE:	SIZE	DWG. NO.	ELECTRONIC FILE	REV
	JEFF MCVICKER	2/20/04	A	2N3055	35C0700.DWG	B
	APPROVED BY:	DATE:	SCALE: NTS		U.O.M.: Millimeters	
JOHN COLE	2/20/04			SHEET: 1 OF 1		

ALL RIGHTS RESERVED. NO PORTION OF THIS PUBLICATION, WHETHER IN WHOLE OR IN PART CAN BE REPRODUCED WITHOUT THE EXPRESS WRITTEN CONSENT OF SPC TECHNOLOGY. DISCLAIMER: ALL STATEMENTS AND TECHNICAL INFORMATION CONTAINED HEREIN ARE BASED UPON INFORMATION AND/OR TESTS WE BELIEVE TO BE ACCURATE AND RELIABLE. SINCE CONDITIONS OF USE ARE BEYOND OUR CONTROL, THE USER SHALL DETERMINE THE SUITABILITY OF THE PRODUCT FOR THE INTENDED USE AND ASSUME ALL RISK AND LIABILITY WHATSOEVER IN CONNECTION THEREWITH.