



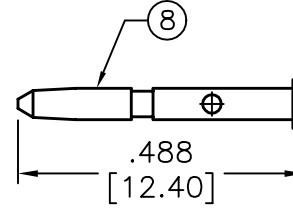
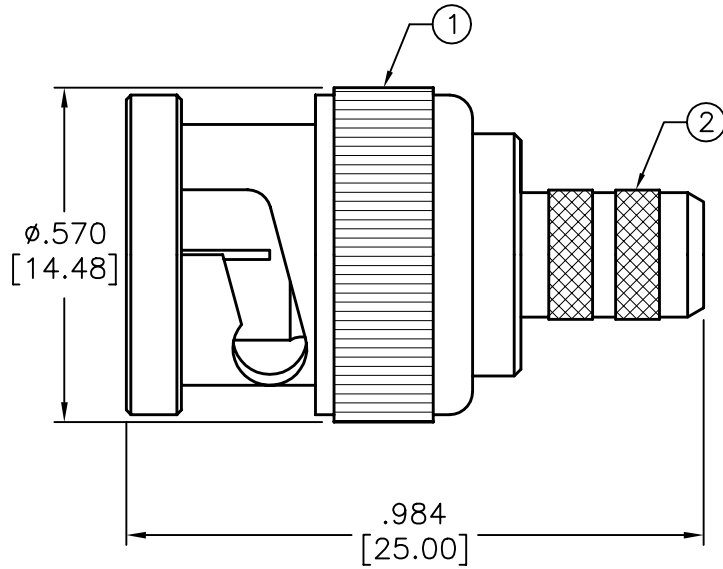
ALL RIGHTS RESERVED. NO PORTION OF THIS PUBLICATION, WHETHER IN WHOLE OR IN PART CAN BE REPRODUCED WITHOUT THE EXPRESS WRITTEN CONSENT OF SPC TECHNOLOGY.

SPC-F005.DWG

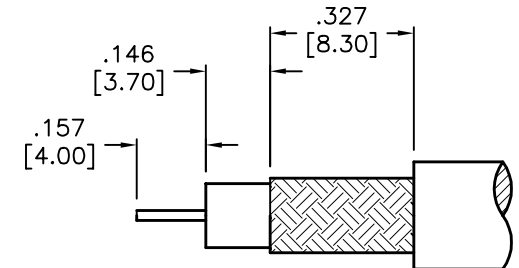
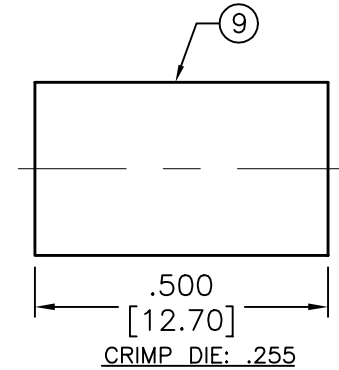
REVISIONS

DOC. NO. SPC-F005 * Effective: 7/8/02 * DCP No: 1398

DCP #	REV	DESCRIPTION	DRAWN	DATE	CHECKD	DATE	APPRVD	DATE
809	A	RELEASED	JWM	1/16/03	HO	1/16/03	DJC	1/16/03



SOLDER OR USE CRIMP DIE: .042



RECOMMENDED STRIPPING INSTRUCTIONS

1	COUPLING NUT	1	BRASS	NICKEL, 100 μ"
2	BODY	1	BRASS	NICKEL, 100 μ"
3	INSULATOR	1	PTFE	---
4	GASKET	1	RUBBER	RED
5	RETAINING RING	1	BRASS	NICKEL, 100 μ"
6	SPRING	1	SK5	NICKEL, 100 μ"
7	WASHER	1	BRASS	NICKEL, 100 μ"
8	PIN	1	BRASS	GOLD, 3 μ"
9	FERRULE	1	BRASS	NICKEL, 100 μ"
#	DESCRIPTION	QTY	MATRL	FINISH

SPECIFICATIONS:

IMPEDANCE: 75 Ohms
 FREQUENCY RANGE: 0-4 GHz
 WORKING VOLTAGE: 500 V rms @ sea level
 TEMPERATURE RANGE: -65°C TO 85°C
 INSULATION RESISTANCE: 5,000 Megohms min.
 (D) RG-59, 59A, 59B, 62, 62A, 62C/U: ALPHA9059, 9062, 9830, 9840, 9845; BELDEN 8221, 8241, 9169, 9204, 9228; CANARE LV-61S; CommScope 5555, 5560, 5563
 (D1) Belden1426A, 1505A, 8212, 8241F, 9100, 9110, 9165, 9171, 9240, 9259, 9265, 9274, 9275, 9659, YR2393D, CommScope553, 5565, 5552, 5550, 5567, 5571.

DISCLAIMER:
 ALL STATEMENTS AND TECHNICAL INFORMATION CONTAINED HEREIN ARE BASED UPON INFORMATION AND/OR TESTS WE BELIEVE TO BE ACCURATE AND RELIABLE. SINCE CONDITIONS OF USE ARE BEYOND OUR CONTROL, THE USER SHALL DETERMINE THE SUITABILITY OF THE PRODUCT FOR THE INTENDED USE AND ASSUME ALL RISK AND LIABILITY WHATSOEVER IN CONNECTION THEREWITH.

TOLERANCES:
 UNLESS OTHERWISE SPECIFIED, DIMENSIONS ARE FOR REFERENCE PURPOSES ONLY.

DRAWN BY:	DATE:
Jeff McVicker	1/16/03
CHECKED BY:	DATE:
Hisham Odish	1/16/03
APPROVED BY:	DATE:
Daniel Carey	1/16/03

DRAWING TITLE: BNC Plug, Crimp, 75 Ohm			
SIZE	DWG. NO.	ELECTRONIC FILE	REV
A	SPC11205	34C5610.dwg	A
SCALE: NTS	U.O.M.: INCHES [mm]	SHEET: 1 OF 1	