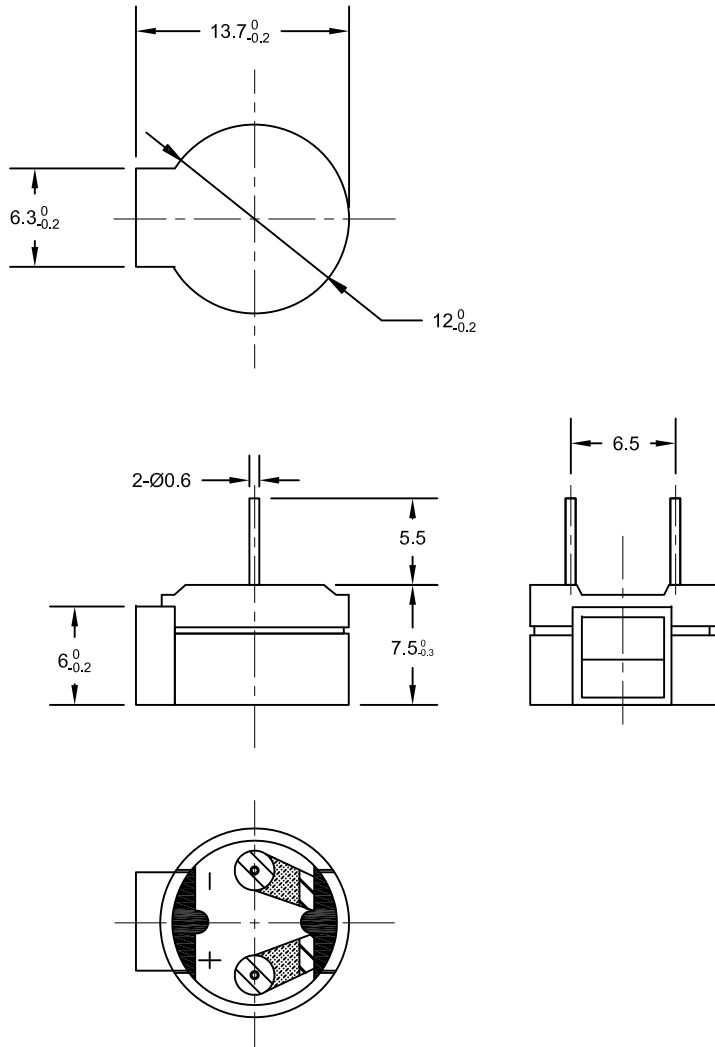


REVISIONS

| DCP # | REV | DESCRIPTION | DRAWN | DATE | CHECKD | DATE | APPRVD | DATE |
|-------|-----|-------------|-------|----------|--------|----------|--------|----------|
| 2070 | A | Released | JN | 09-03-09 | JWM | 09-03-09 | JWM | 09-03-09 |



Specification

1. Rated Voltage: 1.5V
2. Operating Voltage: 1~2V
3. Max. Rated Current: 70mA
4. Coil Resistance: 6.5±1Ω
5. Coil Impedance: 22Ω
6. Min. Sound Pressure Level: 94dB/ 10cm
7. Resonant Frequency: 2650 Hz
8. Case Material/ Color: MPPO/ Black
9. Operating Temperature: -30~+70°C
10. Store Temperature: -40~+85°C
11. Weight: 2g

DISCLAIMER:
ALL STATEMENTS AND TECHNICAL INFORMATION CONTAINED HEREIN ARE BASED UPON INFORMATION AND/OR TESTS WE BELIEVE TO BE ACCURATE AND RELIABLE. SINCE CONDITIONS OF USE ARE BEYOND OUR CONTROL, THE USER SHALL DETERMINE THE SUITABILITY OF THE PRODUCT FOR THE INTENDED USE AND ASSUME ALL RISK AND LIABILITY WHATSOEVER IN CONNECTION THEREWITH.

TOLERANCES:
UNLESS OTHERWISE SPECIFIED, DIMENSIONS ARE FOR REFERENCE PURPOSES ONLY.

| | |
|--------------|----------|
| DRAWN BY: | DATE: |
| Jason Nash | 09-03-09 |
| CHECKED BY: | DATE: |
| Jason Nash | 09-03-09 |
| APPROVED BY: | DATE: |
| Jason Nash | 09-03-09 |

| | | | |
|----------------------------|----------------------|---------------------|---------------|
| DRAWING TITLE: | | | |
| Magnetic Transducer | | | |
| SIZE | DWG. NO. | ELECTRONIC FILE | REV |
| A | MCKP12-G04B1A1-K4077 | 25R0891.dwg | A |
| SCALE: | NTS | U.O.M.: INCHES [mm] | SHEET: 1 OF 1 |