

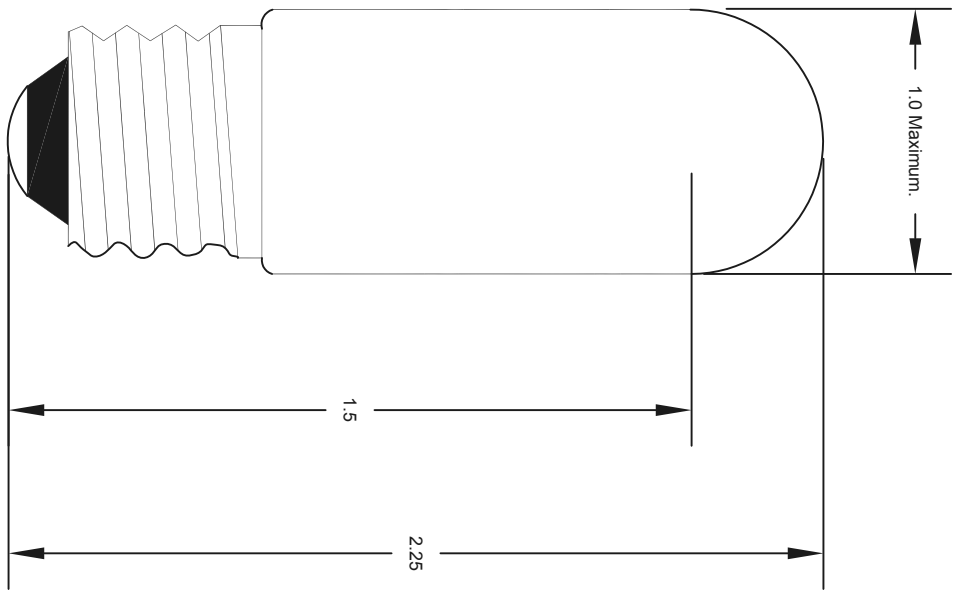


SPC  
TECHNOLOGY

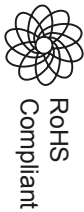
ALL RIGHTS RESERVED. NO PORTION OF THIS PUBLICATION, WHETHER IN WHOLE OR IN PART CAN BE REPRODUCED WITHOUT THE EXPRESS WRITTEN CONSENT OF SPC TECHNOLOGY.

SPC-F005.DWG

REVISIONS		DOC. NO. SPC-F005	* Effective: 7/8/02	* DCP No: 1398				
DCP #	REV	DESCRIPTION	DRAWN	DATE	CHECKD	DATE	APPRVD	DATE
			ASH	01-08-10	JAG	04-08-10	XXX	16-08-10



Dimensions : Inches



- Specifications:**
- 1. Volts : 130
  - 2. Amps : 0.115
  - 3. Watts : 15
  - 4. Lumens : 108
  - 5. Filament : C-7A
  - 6. Life : 3000 hours

Part Number Table

Description	Part Number
T-7 Candleabra Screw Base Lamp	15T7C-130V

**DISCLAIMER:**  
ALL STATEMENTS AND TECHNICAL INFORMATION CONTAINED HEREIN ARE BASED UPON INFORMATION AND/OR TESTS WE BELIEVE TO BE ACCURATE AND RELIABLE. SINCE CONDITIONS OF USE ARE BEYOND OUR CONTROL, THE USER SHALL DETERMINE THE SUITABILITY OF THE PRODUCT FOR THE INTENDED USE AND ASSUME ALL RISK AND LIABILITY WHATSOEVER IN CONNECTION THEREWITH.

**TOLERANCES:**  
UNLESS OTHERWISE SPECIFIED, DIMENSIONS ARE FOR REFERENCE PURPOSES ONLY.

DRAWN BY:	DATE:	DRAWING TITLE:		SCALE:	U.O.M.: INCHES [mm]	SHEET:	1	OF	1
ASH	01-08-10	T-7 Candleabra Screw Base Lamp		NTS					
CHECKED BY:	DATE:	SIZE	DWG. NO.	ELECTRONIC FILE		REV			
JAG	04-08-10	XXX		16N7520		A			
APPROVED BY:	DATE:								
XXX	16-08-10								