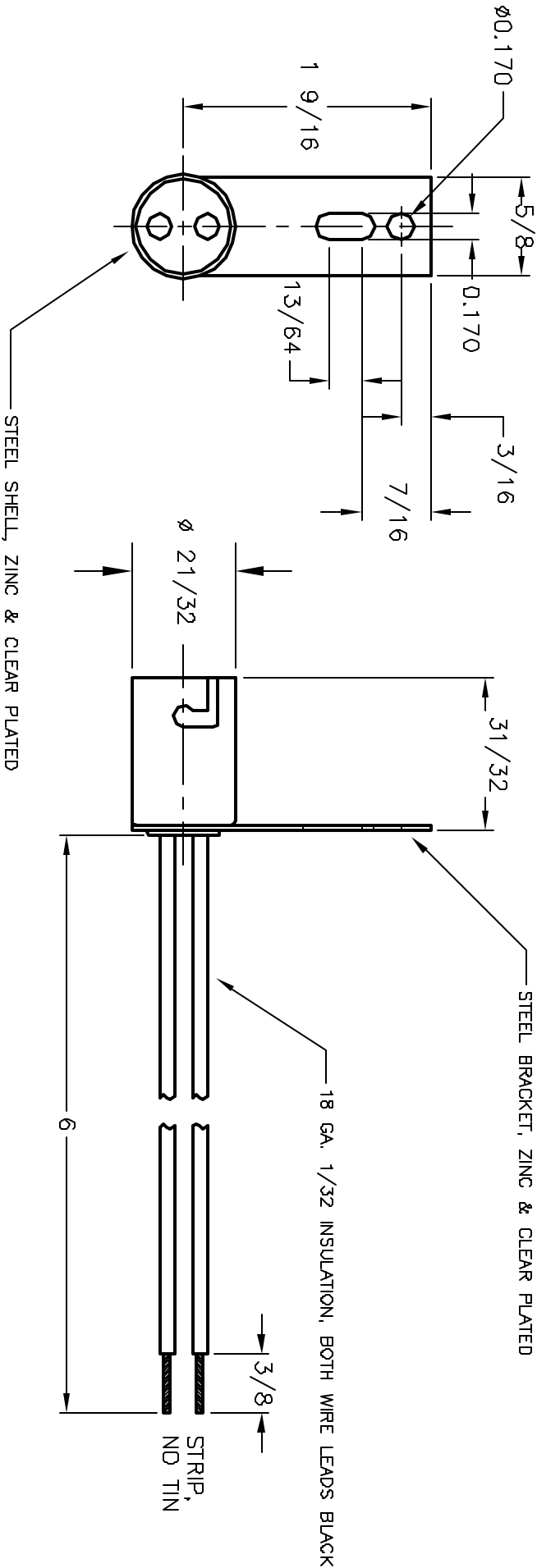


ALL RIGHTS RESERVED. NO PORTION OF THIS PUBLICATION, WHETHER IN WHOLE OR IN PART CAN BE REPRODUCED WITHOUT THE EXPRESS WRITTEN CONSENT OF SPC TECHNOLOGY.

REVISONS		DOC. NO. SPC-F005	Effective 12/21/98	DCP No. B90				
DCP #	REV	DESCRIPTION	DRAWN	DATE	CHECKED	DATE	APPRVD	DATE
1948	A	RELEASED	DJC	12/15/98	JC	12/19/98	JWM	1/7/99



DISCLAIMER:
 ALL STATEMENTS AND TECHNICAL INFORMATION CONTAINED HEREIN ARE BASED UPON INFORMATION AND/OR TESTS WE BELIEVE TO BE ACCURATE AND RELIABLE. SINCE CONDITIONS OF USE ARE BEYOND OUR CONTROL, THE USER SHALL DETERMINE THE SUITABILITY OF THE PRODUCT FOR THE INTENDED USE AND ASSUME ALL RISK AND LIABILITY WHATSOEVER IN CONNECTION THEREWITH.

TOLERANCES UNLESS OTHERWISE SPECIFIED:

FRACTIONAL: ±1/64
 DECIMAL: .XXX ±005
 ANGULAR: ±1°

DRAWN BY:	DATE:
DANIEL CAREY	12/15/98
CHECKED BY:	DATE:
JOHN COLE	12/18/98
APPROVED BY:	DATE:
JEFF MCVICKER	1/7/99



DRAWING TITLE:
DOUBLE CONTACT CANDLEBRA BAYONET LAMPHOLDER, WIRE LEADS

SIZE DWG. NO. SPC21742 ELECTRONIC FILE 16M1233.DWG REV A

SCALE: NTS U.O.M.: INCHES [mm] SHEET: 1 OF 1