



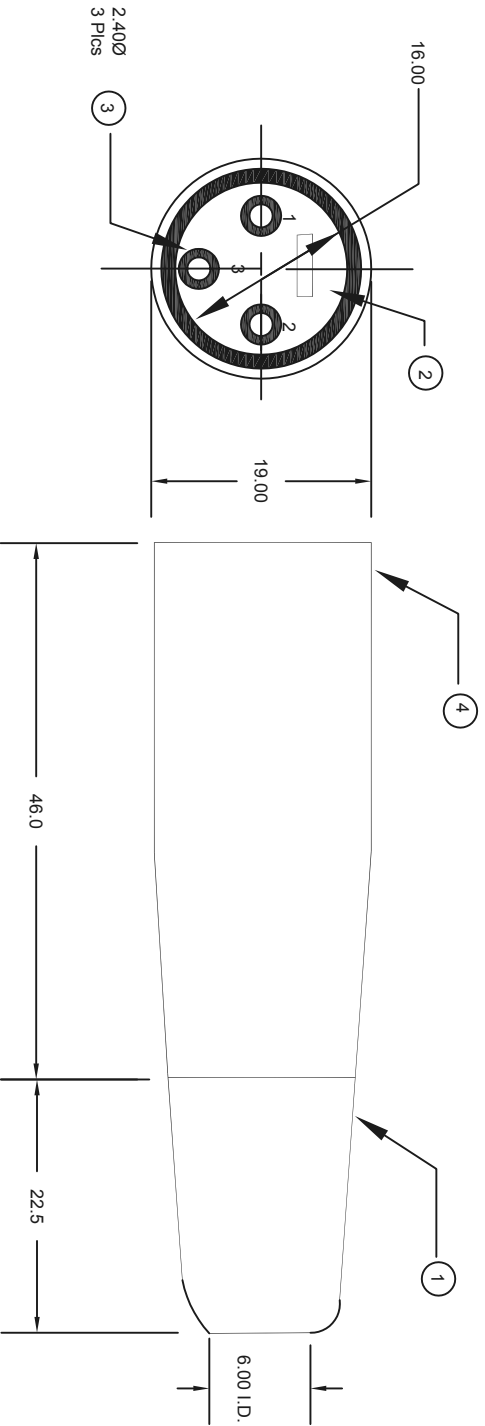
SPC  
TECHNOLOGY

ALL RIGHTS RESERVED. NO PORTION OF THIS PUBLICATION,  
WHETHER IN WHOLE OR IN PART CAN BE REPRODUCED  
WITHOUT THE EXPRESS WRITTEN CONSENT OF SPC  
TECHNOLOGY.  
SPC-F005.DWG

REVISIONS

DCP #	REV	DESCRIPTION	DRAWN	DATE	CHECKD	DATE	APPRVD	DATE
			VEE	02-08-10	JAG	03-08-10	XXX	16-08-10

DOC. NO. SPC-F005 \* Effective: 7/8/02 \* DCP No: 1398



Dimensions: millimetres

Specifications:

- Electrical**
  - Contact rating : 15A at 125VAC
  - Contact resistance : 5millohms maximum
  - Insulation resistance : 5000 Megaohms minimum at 500VDC
  - Dielectric strength : 1400VAC
  - Capacitance : 4pF maximum
- Mechanical**
  - Insertion force : 1.0 to 8.0kg
  - Withdrawal force : 1.0 to 8.0kg
  - Finish : Brushed
- Environmental**
  - Operating temperature : -55°C to 70°C

Item	Description	Qty	Material/Finish
1	Housing	1	Zinc Die Cast, Nickel Plated
2	Insert Insulator	1	PPO-I, UL 94V-0 rated, Gray
3	Pins	1	Brass, Silver Plated
4	Cable Relief	1	PVP, Matte Finish

Part Number Table

Description	Part Number
Male XLR Type Audio Cord Plug	SPC21418

TOLERANCES:

UNLESS OTHERWISE SPECIFIED, DIMENSIONS ARE FOR REFERENCE PURPOSES ONLY.

DISCLAIMER:

ALL STATEMENTS AND TECHNICAL INFORMATION CONTAINED HEREIN ARE BASED UPON INFORMATION AND/OR TESTS WE BELIEVE TO BE ACCURATE AND RELIABLE. SINCE CONDITIONS OF USE ARE BEYOND OUR CONTROL, THE USER SHALL DETERMINE THE SUITABILITY OF THE PRODUCT FOR THE INTENDED USE AND ASSUME ALL RISK AND LIABILITY WHATSOEVER IN CONNECTION THEREWITH.

DRAWN BY:

DATE:

DRAWING TITLE:

Male XLR Type Audio Cord Plug

CHECKED BY:

DATE:

SIZE

XXX

ELECTRONIC FILE

REV

JAG

DATE:

DWG. NO.

XXX

84N1094

A

APPROVED BY:

DATE:

SCALE:

NTS

U.O.M.: INCHES [mm]

SHEET:

1

OF

1