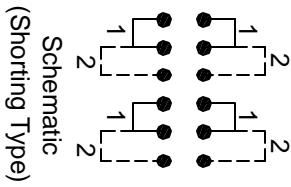
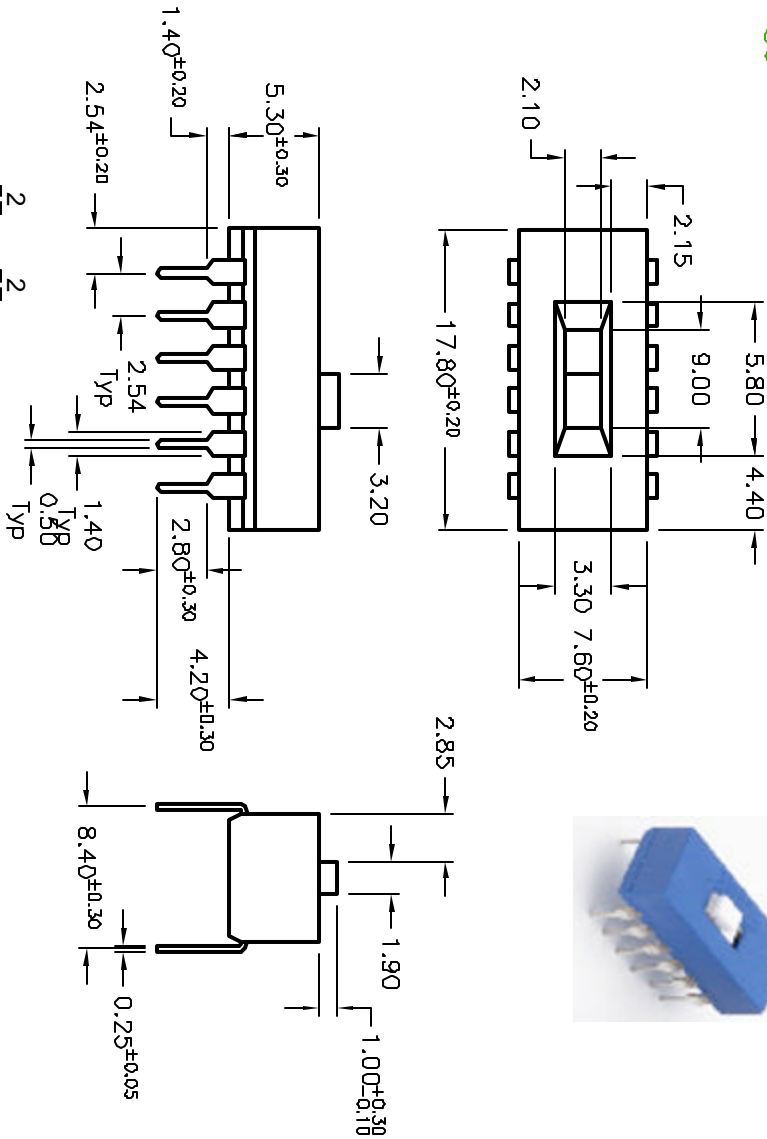


REVISIONS		DOC. NO. SPC-F005	Effective: 7/8/02	DCP No: 1398				
DCP #	REV	DESCRIPTION	DRAWN	DATE	CHECKD	DATE	APPRVD	DATE
1937	A	Released	DCM	4/28/07				



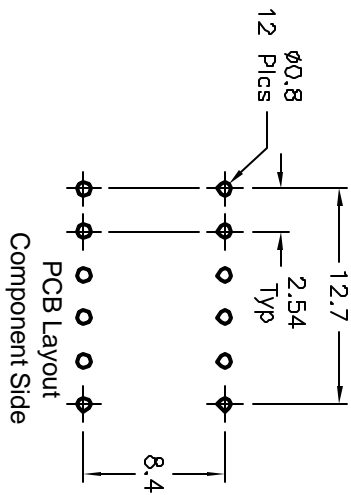
Schematic (Shorting Type)

DISCLAIMER:
ALL STATEMENTS AND TECHNICAL INFORMATION CONTAINED HEREIN ARE BASED UPON INFORMATION AND/OR TESTS WE BELIEVE TO BE ACCURATE AND RELIABLE. SINCE CONDITIONS OF USE ARE BEYOND OUR CONTROL, THE USER SHALL DETERMINE THE SUITABILITY OF THE PRODUCT FOR THE INTENDED USE AND ASSUME ALL RISK AND LIABILITY WHATSOEVER IN CONNECTION THEREWITH.

TOLERANCES:
UNLESS OTHERWISE SPECIFIED, DIMENSIONS ARE FOR REFERENCE PURPOSES ONLY.

DRAWN BY:	Don McVicker	DATE:	4/25/07
CHECKED BY:	Jason Nash	DATE:	2/11/08
APPROVED BY:	Jason Nash	DATE:	2/11/08

DRAWING TITLE:	Sealed Slide Switch, 4PDT		
SIZE	DWG. NO.	ELECTRONIC FILE	REV
A	SPC21205	11M0399.dwg	A
SCALE:	NTS	U.O.M.: INCHES [mm]	SHEET: 1 OF 1



- NOTES:**
1. Switch withstands aqueous or solvent cleaning processes
 2. Switch is Auto Insertable - initially provided with recessed actuator and tape seal on top. Tape is moved after assembly to PCB and actuator is raised in a latched, extended position

Environmental
Operating Temperature: -40°C ~ 85°C

Material
Housing: PBT G30 UL94V-0
Actuator: Valox 357, UL94V-0
Contacts: Phosphor Bronze
Terminals: Brass
Plating: Contact Area: Silver over Nickel
Termination Area: Tin Over Nickel

Mechanical
Life: 15,000 Cycles
Actuation Force: 400 ±150 Grams

Specifications
Electrical
Contact Rating: 300mA @ 125 VAC
Contact Resistance: 20 Milliohms Max.
Insulation Resistance: 100 Megohms Min. @ 500 VDC
Dielectric Strength: 500 Vrms