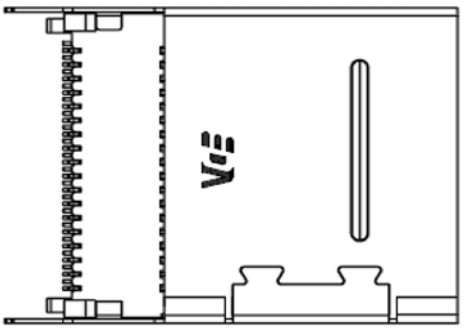
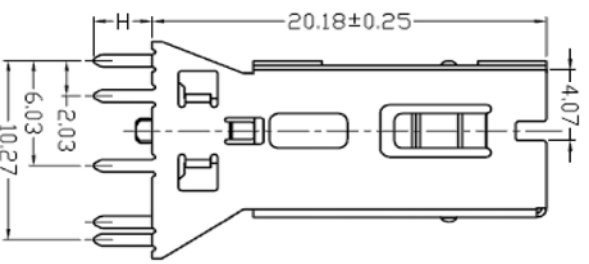
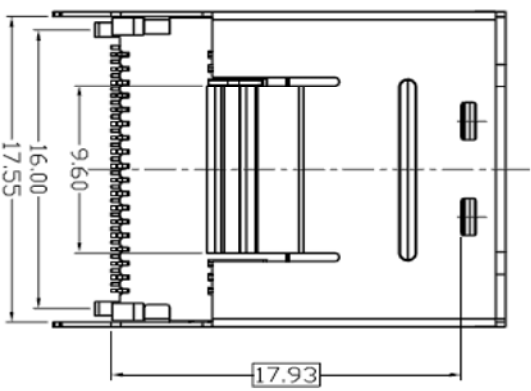
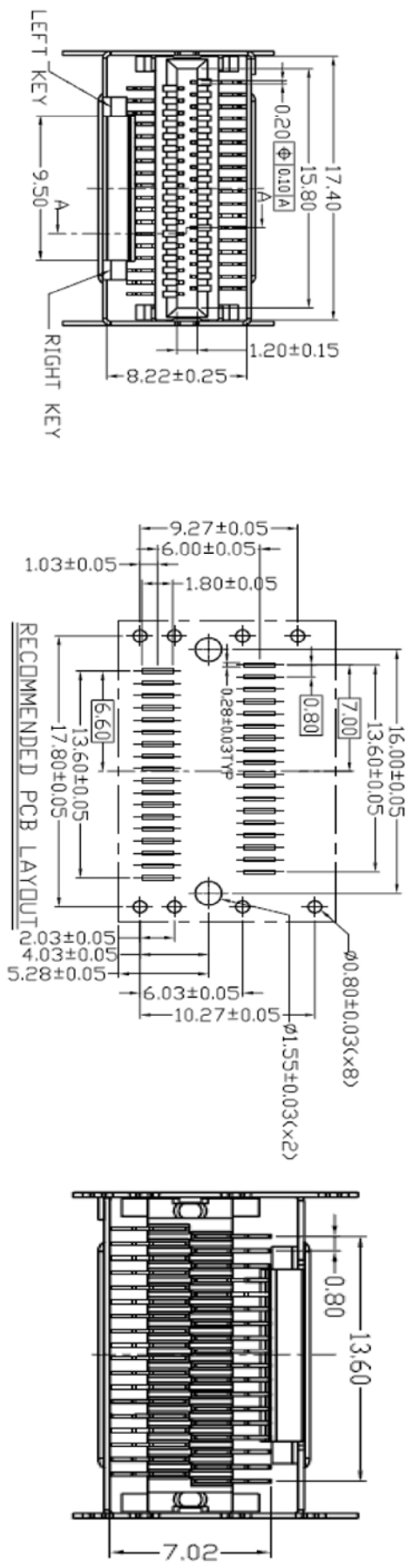


ALL RIGHTS RESERVED. NO PORTION OF THIS PUBLICATION, WHETHER IN WHOLE OR IN PART CAN BE REPRODUCED WITHOUT THE EXPRESS WRITTEN CONSENT OF SPC TECHNOLOGY.

SPC-F005.DWG

REVISONS		DOC. NO.	Effective: 7/8/02 * DCP No: 1398			
DCP #	REV	DESCRIPTION	DRAWN	DATE	CHECKD	DATE
2090	A	Released	JYC	2/22/10		



SPECIFICATIONS

- CURRENT: 0.5A/Contact.
- VOLTAGE: 30VAC/Contact.
- LOW LEVEL CONTACT RESISTANCE: 80mohm MAX.
- MATING FORCE: Maximum of 55.5N
- UNMATING FORCE: Maximum of 49.0N
- OPERATING TEMPERATURE: -20°C to +85°C
- SHELL MATERIALS: Copper Alloy
- SHELL PLATING: NICKEL
- HOUSING MATERIALS: High Temperature Thermoplastic
- CONTACT MATERIALS: Copper Alloy
- CONTACT PLATING: Gold

DISCLAIMER:
ALL STATEMENTS AND TECHNICAL INFORMATION CONTAINED HEREIN ARE BASED UPON INFORMATION AND/OR TESTS WE BELIEVE TO BE ACCURATE AND RELIABLE. SINCE CONDITIONS OF USE ARE BEYOND OUR CONTROL, THE USER SHALL DETERMINE THE SUITABILITY OF THE PRODUCT FOR THE INTENDED USE AND ASSUME ALL RISK AND LIABILITY WHATSOEVER IN CONNECTION THEREWITH.

TOLERANCES:
UNLESS OTHERWISE SPECIFIED, DIMENSIONS ARE FOR REFERENCE PURPOSES ONLY.

DRAWN BY:	Jerrold Chen	DATE:	2/22/10
CHECKED BY:		DATE:	
APPROVED BY:		DATE:	

DRAWING TITLE:		SCALE:	
MINI SAS INTERNAL 36PIN VERTICAL SMT TYPE		NTS	
SIZE	DWG. NO.	ELECTRONIC FILE	REV
A	61V036S-321NO-B	06R5637.DWG	A
U.O.M.: mm		SHEET:	1 OF 1

