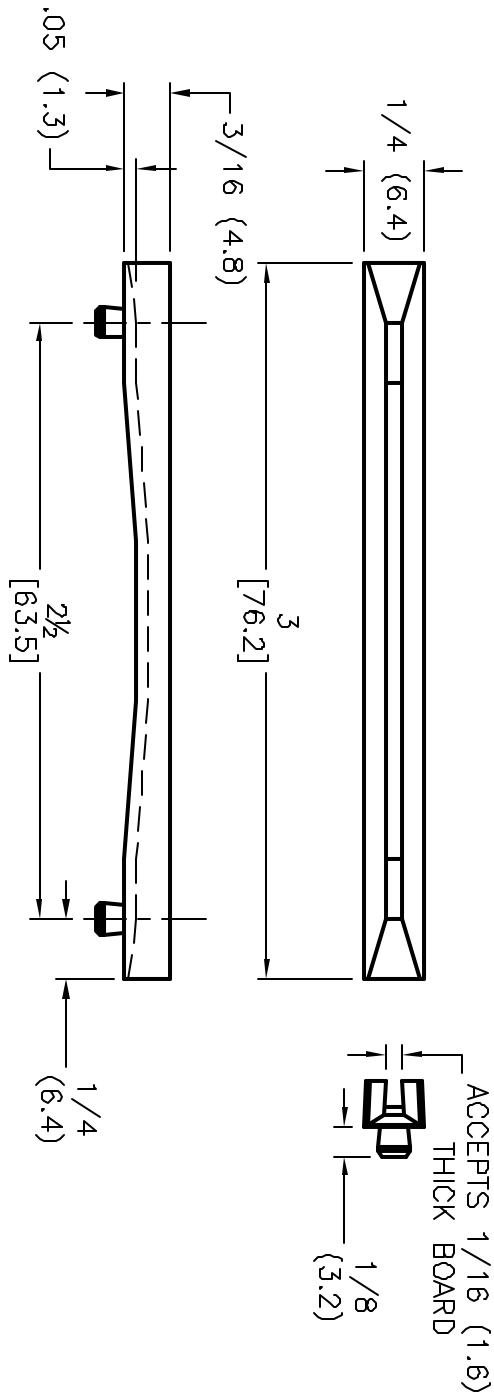


ALL RIGHTS RESERVED. NO PORTION OF THIS PUBLICATION, WHETHER IN WHOLE OR IN PART CAN BE REPRODUCED WITHOUT THE EXPRESS WRITTEN CONSENT OF SPC TECHNOLOGY.

REVISIONS		DOC. NO. SPC-F005	Effective 12/21/08	DCP No 890				
DCP #	REV	DESCRIPTION	DRAWN	DATE	CHECKD	DATE	APPRVD	DATE
1865		Released	DJC	6/23/07	JN	07/17/08	JN	07/17/08



- NOTES:
1. MATERIAL: NYLON 6/6
 2. COLOR: NATURAL
 3. FLAMMABILITY RATING: UL94V-2
 4. CONTINUOUS USE TEMPERATURE: -40°F(-40°C) TO 167°F(75°C)

DISCLAIMER:
 ALL STATEMENTS AND TECHNICAL INFORMATION CONTAINED HEREIN ARE BASED UPON INFORMATION AND/OR TESTS WE BELIEVE TO BE ACCURATE AND RELIABLE. SINCE CONDITIONS OF USE ARE BEYOND OUR CONTROL, THE USER SHALL DETERMINE THE SUITABILITY OF THE PRODUCT FOR THE INTENDED USE AND ASSUME ALL RISK AND LIABILITY WHOSOEVER IN CONNECTION THEREWITH.

DRAWN BY: JC		DATE: 9/3/91
CHECKED BY: JN		DATE: 07/17/08
APPROVED BY: JN		DATE: 07/17/08

Tolerances: Unless Otherwise Specified:
 .XX = ±.010
 .XXX = ±.005
 Fractional = ±1/64
 Angles = ±1°

SPC TECHNOLOGY

Rack Card Guides

DRAWING TITLE: Rack Card Guides

SIZE: A DWG. NO.: SPC23703 ELECTRONIC FILE: 01N3721.dwg REV: A

SCALE: NTS U.O.M.: INCHES [mm] SHEET: 1 OF 1