



ALL RIGHTS RESERVED. NO PORTION OF THIS PUBLICATION, WHETHER IN WHOLE OR IN PART CAN BE REPRODUCED WITHOUT THE EXPRESS WRITTEN CONSENT OF SPC TECHNOLOGY.

SPC-F005.DWG

REVISIONS

DOC. NO. SPC-F005 * Effective: 7/8/02 * DCP No: 1398

DCP #	REV	DESCRIPTION	DRAWN	DATE	CHECKD	DATE	APPRVD	DATE
1447	A	RELEASED	HO	1/21/04	SF	8/18/04	JC	8/24/04
1885	B	UPDATED TO ROHS COMPLIANCE	EO	02/03/06	HO	2/6/06	HO	2/6/06

Description: PLASTIC, PNP, TO-220 POWER TRANSISTOR General purpose amplifier and switching applications.

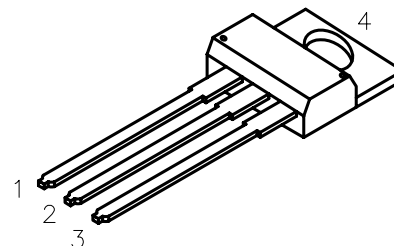


Features:

- Collector Emitter Saturation Voltage $I_C = 3A$, $I_B = .6A$, $V_{CE} = 1.2V$ (Max)
- D.C. Current Gain $I_C = 1A$, $V_{CE} = 4V$, $h_{FE} = 25$ (Min)

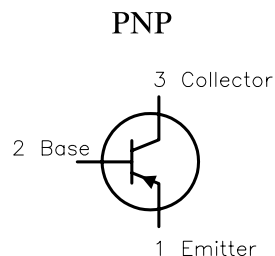
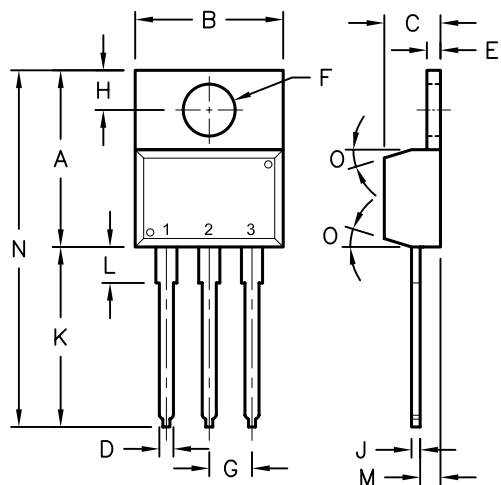
Absolute Maximum Ratings:

- Collector-Base Voltage, $V_{CES} = 115V$
- Collector-Emitter Voltage, $V_{CEO} = 100V$
- Emitter-Base Voltage, $V_{EBO} = 5V$
- Continuous Collector Current, $I_C = 3A$
- Base Current, $I_B = 1A$
- Total Device Dissipation ($T_C = +25^\circ C$), $P_D = 40W$
Derate above $25^\circ C = 0.32mW/^\circ C$
- Operating Junction Temperature Range, $T_J = -65^\circ$ to $+150^\circ C$
- Storage Temperature Range, $T_{stg} = -65^\circ$ to $+150^\circ C$



Pin Configuration:

1. Base
2. Collector
3. Emitter
4. Collector



Electrical Characteristics: ($T_A = +25^\circ C$ unless otherwise specified)

Parameter	Symbol	Test Conditions	Min	Max	Unit
OFF Characteristics					
Collector-Emitter Breakdown Voltage	$V_{(BR)CEO}$	$I_C = 30mA$, $I_B = 0$, Note 1	100	-	V
Collector-Base Breakdown Voltage	$V_{(BR)CES}$	$I_C = 1mA$, $V_{BE} = 0$	115	-	V
Emitter-Base Breakdown Voltage	$V_{(BR)EBO}$	$I_E = 1mA$, $I_C = 0$	5	-	V
Collector Cut-Off Current	I_{CES}	$V_{CE} = 100V$, $V_{BE} = 0$	-	0.2	mA
	I_{CEO}	$V_{CB} = 60V$, $I_B = 0$	-	0.3	mA
Emitter Cut-Off Current	I_{EBO}	$V_{EB} = 5V$, $I_C = 0$	-	1	mA
ON Characteristics					
DC Current Gain, Note 1	h_{FE}	$V_{CE} = 4V$, $I_C = 1A$	25	-	-
		$V_{CE} = 4V$, $I_C = 3A$	10	-	-
Collector-Emitter Saturation Voltage, Note 1	$V_{CE(sat)}$	$I_C = 3A$, $I_B = 0.6A$	-	1.2	V
Base-Emitter On Voltage, Note 1	$V_{BE(on)}$	$I_C = 3A$, $V_{CE} = 4V$	-	1.8	V
Small-Signal Characteristics					
Current Gain-Bandwidth Product	f_T	$V_{CE} = 10V$, $I_C = 0.5A$, $f = 1MHz$	3	-	MHz
Small-Signal Current Gain	h_{fe}	$V_{CE} = 10V$, $I_C = 0.5A$, $f = 1kHz$	20	-	-

Note 1: Pulse test: Pulse width $\leq 300\mu s$, Duty cycle $\leq 2\%$.

Dimensions	A	B	C	D	E	F	G	H	J	K	L	M	N	O
Max.	16.51	10.67	4.83	0.90	1.40	3.88	2.79	3.43	0.56	14.73	4.07	2.92	31.24	
Min.	14.42	9.63	3.65	-	1.15	3.75	2.29	2.54	-	12.70	2.80	2.03	-	7

DISCLAIMER:
ALL STATEMENTS AND TECHNICAL INFORMATION CONTAINED HEREIN ARE BASED UPON INFORMATION AND/OR TESTS WE BELIEVE TO BE ACCURATE AND RELIABLE. SINCE CONDITIONS OF USE ARE BEYOND OUR CONTROL, THE USER SHALL DETERMINE THE SUITABILITY OF THE PRODUCT FOR THE INTENDED USE AND ASSUME ALL RISK AND LIABILITY WHATSOEVER IN CONNECTION THEREWITH.

TOLERANCES:
UNLESS OTHERWISE SPECIFIED, DIMENSIONS ARE FOR REFERENCE PURPOSES ONLY.

DRAWN BY:	DATE:
HISHAM ODISH	1/21/04
CHECKED BY:	DATE:
STEVE FEIWELL	8/18/04
APPROVED BY:	DATE:
JOHN COLE	8/24/04

DRAWING TITLE: Transistor, Power, Plastic, TO-220, PNP			
SIZE	DWG. NO.	ELECTRONIC FILE	REV
A	BD242C	01H0323.DWG	B
SCALE: NTS	U.O.M.: Millimeters	SHEET: 1 OF 1	