

VJ ACCESSORIES

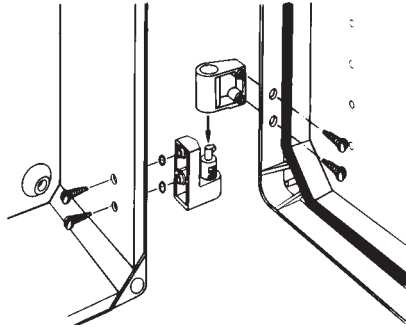
VJ SERIES

Hinges

- The VJ-Series non-metallic hinges allow the cover to open at an angle exceeding 180°.
- The cover can be lifted off and reinstalled without the use of a tool, which substantially reduces the operations within the cover. (Lift off optional upon request.)
- By simply adjusting one of the pivot parts, the cover becomes unremovable.

VJNMH

Set of 2 pieces



Surface-mounted windows (screw assembly)

SW97

NEMA 4X (UL listed if factory installed)
HxW: 10.31 x 8.31



SW84N

NEMA 4X IP67 with nameplate provided
(UL listed if factory installed)
H x W: 9.45 x 5.47



SW84X

NEMA 4X IP67 (UL listed if factory installed)
H x W: 8.54 x 5.47



Latches

VJLL KIT

Optional twist latch



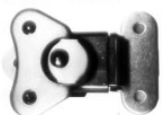
VJPL KIT

Standard PL (316 stainless steel)



VJTPL KIT

Optional twist padlockable latch

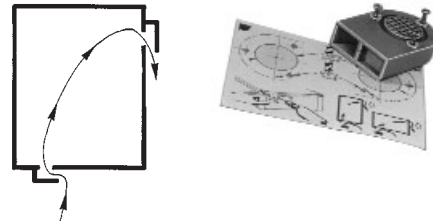


Air vents

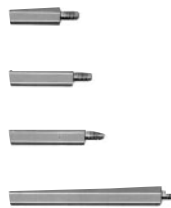
Two air vents must be mounted per enclosure to ensure sufficient air circulation and prevent condensation water. Complete with template and screws. The air vents are preferably mounted in the upper and lower part of the box.

10000.010 (MEDV)

Set of two pieces in polyamide per package. UL listed if factory installed.



Backpanel Stand-Offs



PART NUMBER	LENGTH
SO-05	.5
SO-10	1
SO-20	2
SO-35	3.5
SO-40	4

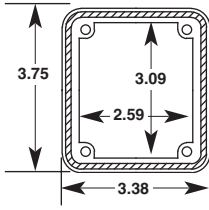
Aluminum with 10-32 thread to match back plate inserts and screws.

Quarter-turn Brackets

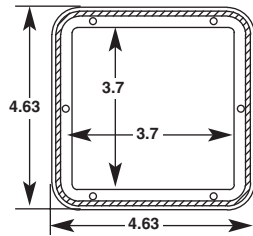
FP025

VJ ACCESSORIES

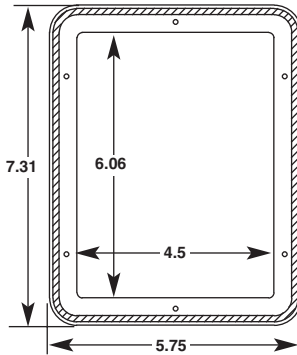
SW32



SW44

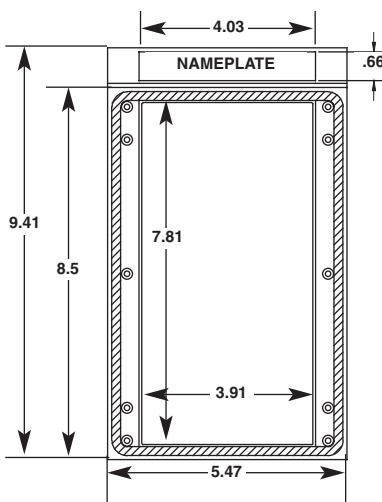


SW64



SW84*

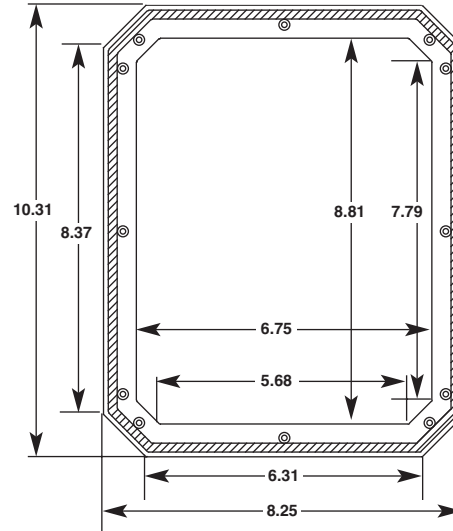
Available as SW84N (with provision for nameplate) or SW84X (without provision for nameplate)



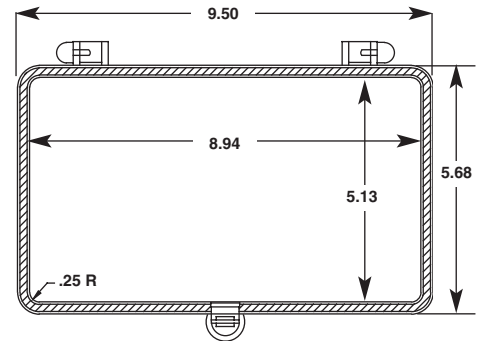
*Note UL listed for NEMA 4X

If factory installed in any enclosure 1" clearance on all four sides is required for installation

SW97*



95HCD



Molded Instrumentation Windows

SCREW ON WINDOWS, WATERTIGHT (POLYCARBONATE)

Suffix Order Code	Nom. Size	Minimum Enclosure Size Vertical	Minimum Enclosure Size Horizontal
SW32	3 x 2	VJ606	VJ606
SW44	4 x 4	VJ606	VJ606
SW64	6 x 4	VJ806	VJ1008
SW84+	8 x 4	VJ806	VJ1008
SW97+	9 x 7	VJ1008	VJ1210

Inspection Type NEMA 12

55SC	5 x 5	VJ806	VJ806
------	-------	-------	-------

Hinged Cover Type NEMA, 3, 3R, 12

95HCD	9 x 5	VJ1210	VJ1008
-------	-------	--------	--------

†UL listed if factory installed.

Template included.

PROJECTION ABOVE COVER

1. SW32 - .5"
2. SW44 - .3125"
3. SW64 - .3125"
4. SW84 - .25"
5. SW97 - .25"
6. 95 HCD - .52"