

Add On Board Wi-Fi

Wi-Fi Add On board is a GPIO interface board which plugs into the GPIO header of the CoreCommander board to provide wireless interface to the CoreCommander board.



Board Features

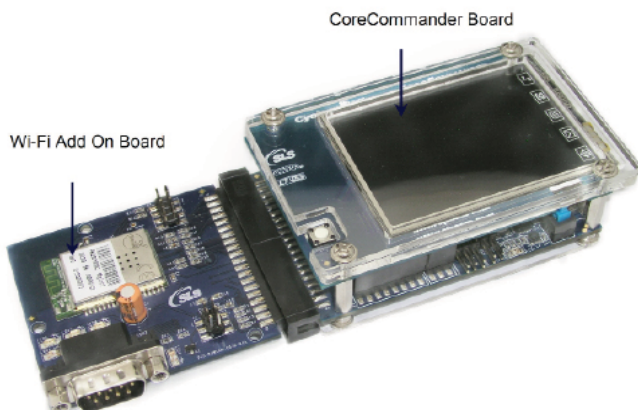
- Low Power ZG2100MC Wi-Fi module
- Serial (RS232) port
- SD card connector
- SPI/I²C Header
- Six user LEDs
- GPIO Interface compatible with CoreCommander

Deliverables

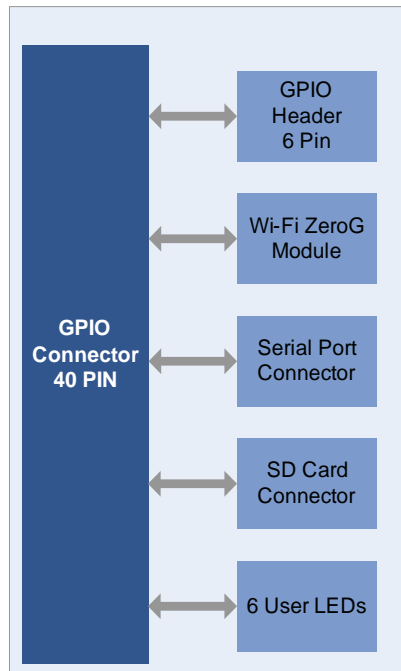
- Wi-Fi Add On Board
- Installation CD
 - Wireless reference design and demonstrations
 - » Protocols: DHCP, ARP, TFTP, ICMP and HTTP
 - » Stack ported over Nios II processor
 - » ZeroG interface communication
- Board reference manual

Example Usage

Figure below shows the connection of Wi-Fi Add On board with the CoreCommander board.



Block Diagram



For more information on Wi-Fi Add On board, visit <http://slscorp.com/pages/aowifi.php>