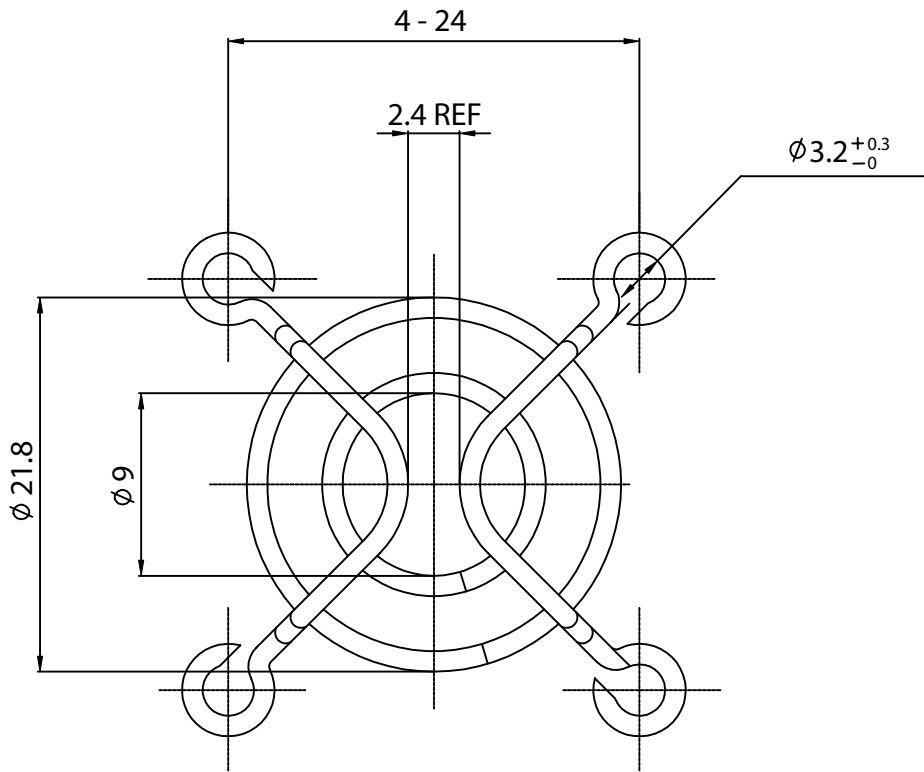
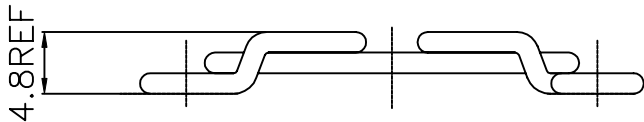


		Revision	
Rev.	Description	Date	Approved



Notes:

1. MATERIAL: C1008 BRIGHT BASIC WIRE
2. FINISH: BRIGHT NICKEL CHROME
3. (1) RINGS ARE $\phi 1.6$ mm
(2) RINGS ARE $\phi 1.6$ mm
4. WELD JOINTS TO WITHSTAND 88 LBS. PULL FORCE
5. SPACING BETWEEN RINGS TO BE EQUIDISTANT
6. GENERAL TOLERANCE UNLESS NOTE: ± 0.5 mm
7. PARTS MEET $\phi 6.35$ mm PLUG GAUGE TEST
8. UNIT: mm



Dim range (mm)	Tolerance +/- (mm)	Qualtek Electronics Corp. FAN-S DIVISION		
		Part Number: 08346		
0-1	0.15	Description: WIRE FORM FAN GUARD (30mm)		
1-6	0.20			
6-18	0.30		Unit: mm	Rev A
18-50	0.50	Drawn/Date	Checked/Date	Approved/Date
50-120	0.70	03/02/06	03/02/06	03/02/06
120-250	0.90			
250-500	1.20			