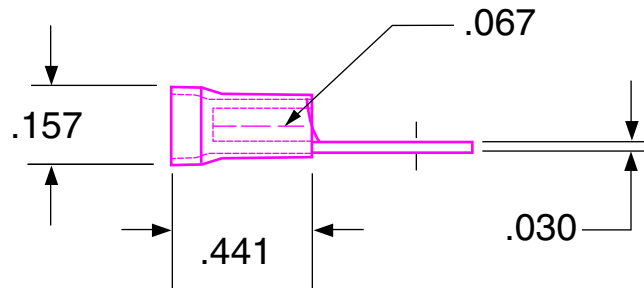
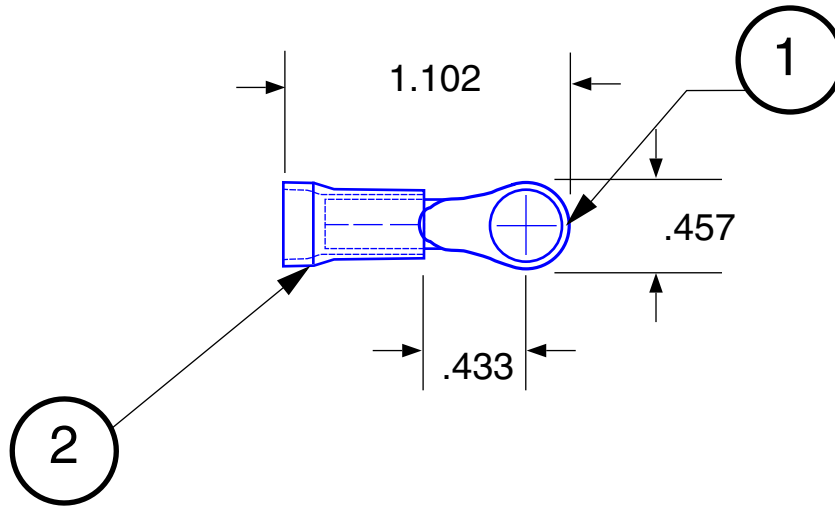


Ring Terminal - insulated
 Part No: FVL2216-6R2

STUD SIZE #1/4

SYM.	CHANGES	BY	DATE



Max Electric Current: 22-16 AWG : 19 Amp
 Max Electric Rating: 75° C / 600 V Max
 Tolerance ±.020



HOFFMAN PRODUCTS

20700 Hubbell Avenue, Oak Park, MI 48237
 Tel: 1-800-645-2014 • Fax: 1-800-908-1295
 Web: www.hoffmanproducts.com

NO.	1	2	3
NAME	TERMINAL	INSULATOR	
MAT'L.	COPPER	VINYL	
REMARKS	TIN-PLATED	RED	
APPROVED BY:	CHECKED BY:	DRAWN BY:	

DATE:	TITLE: RING TERMINAL		
SCALE: FREE	PART NO. FVL2216-6R2		
DRAWING NO. H1513	PART NAME		ISSUE

HOFFMAN CADFILE