

Dialight

Solid State Lighting Edison Screw Based LED Lamps

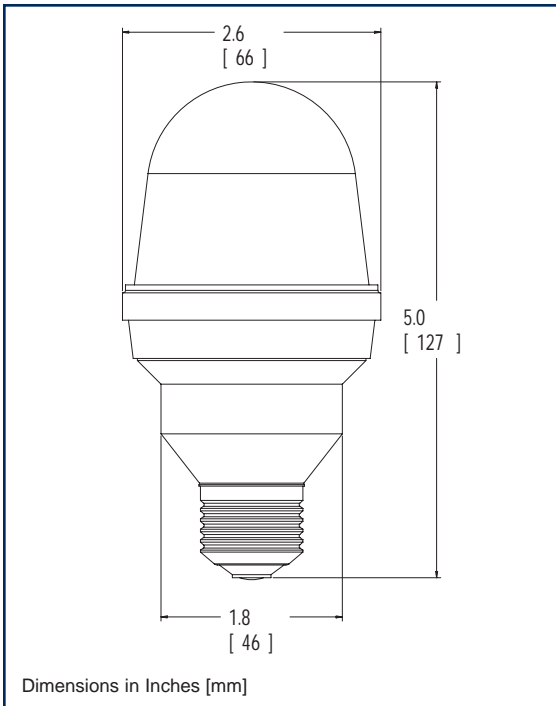


FEATURES / BENEFITS

- ▲ Low power consumption - 5 watts
- ▲ High brightness - up to 120 lumens
- ▲ Long life - 50,000 hours
- ▲ Robust design -
 - ↳ suitable for both indoor and outdoor applications
 - ↳ shatterproof tinted lens for off state identification
 - ↳ shock and vibration resistant
- ▲ Light Beam - No heat generated/No UV
- ▲ Emissions: No EMI/RFI
- ▲ Easy installation - fits standard Edison screw base socket
- ▲ Saves money - reduces labor and maintenance costs

Designed to replace an existing incandescent light bulb, these innovative lights contain multiple high flux LEDs that offer up to 90% savings over incandescent in energy and an extremely long life. The unique design provides an even illumination over the lens, which can be tinted to match the illuminating color or provided in soft white. LED placement and use of high flux LEDs allow for custom emitted colors to be achieved.

SPECIFICATIONS



- ▲ Input voltage: 120 VAC +/- 10% (50/60 hz)
- ▲ Input current: 250 mA (typ.)
- ▲ Power Consumption: 5W
- ▲ Operating / Storage Temperature:
-40°C to +55°C/-40°C to +120°C
- ▲ Projected Life: 50,000 hours
(70% of initial light output after 50,000 hours)
- ▲ Base size: Medium E26, brass
- ▲ Lens: tinted or soft white polycarbonate
UL94 flammability rating
- ▲ Housing: Black polycarbonate
UL94 flammability rating

PRELIMINARY

New for 2004

Dialight reserves the right to make changes at any time in order to supply the best product possible.



A4703



ISO 9001

Dialight Corporation

Dialight Corporation

1501 Route 34 South • Farmingdale, NJ 07727 USA

Tel: (1) 732-919-3119 • Fax: (1) 732-751-5778 • www.dialight.com



a Roxboro Group Company

MDEXEBLX001_02

PART NUMBER		TYPICAL LUMENS OUTPUT	EMITTING COLOR	DOMINANT WAVELENGTH (TYP. nm)
TINTED LENS	NON-TINTED, DIFFUSED LENS			
EBA-26014-DAA	EBA-26014-DAB	100	Amber	590
EBR-26018-DAA	EBR-26018-DAB	120	Red	627
EBG-26012-DAA	EBG-26012-DAB	100	Green	530
EBB-26004-DAA	EBB-26004-DAB	32	Blue	470
—	EBC-26018-DAB	100	Cool White	CCT = 5500K
—	EBW-26014-DAB	80	Warm White	CCT = 3200K

This lamp is specially designed for indication and specialty lighting applications including:

- ▲ Safety lighting for subways, tunnels and bridges
- ▲ Industrial safety lighting
- ▲ Amusement and theme park lighting
- ▲ Architectural lighting
- ▲ Home
- ▲ Garden landscaping and walkway illumination
- ▲ Decorative lighting
- ▲ Display case and window accenting
- ▲ Status indication



PRELIMINARY

New for 2004

Dialight reserves the right to make changes at any time in order to supply the best product possible.



A4703



ISO 9001

Dialight Corporation

Dialight Corporation

1501 Route 34 South • Farmingdale, NJ 07727 USA

Tel: (1) 732-919-3119 • Fax: (1) 732-751-5778 • www.dialight.com



a Roxboro Group Company