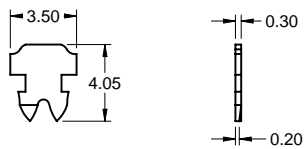
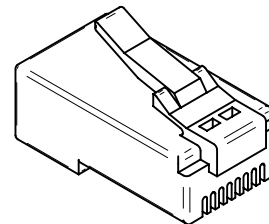
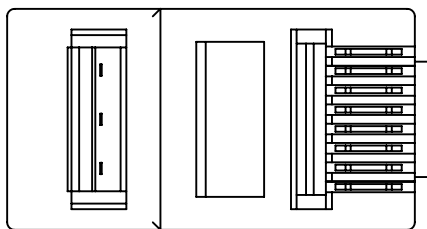
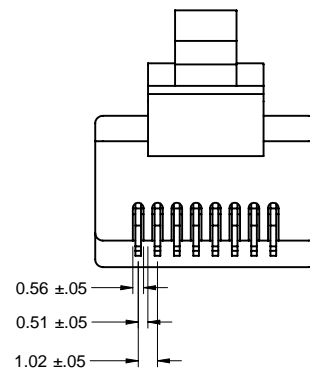
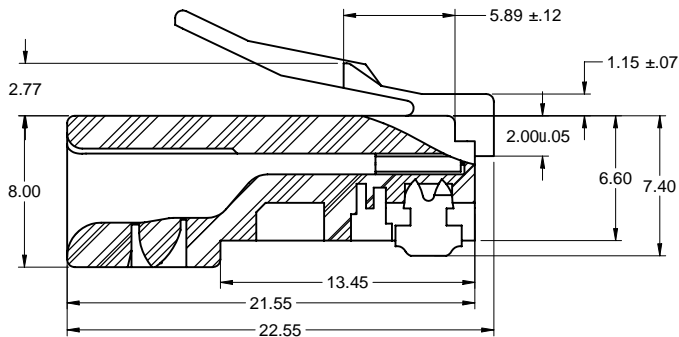
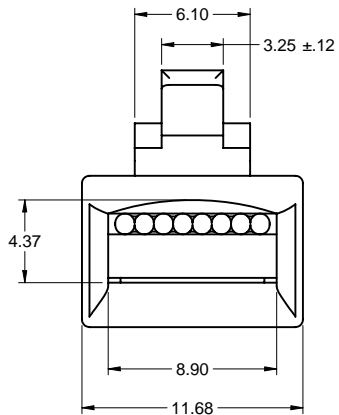
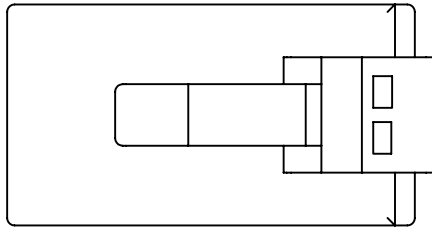


DRAWING NO.					
32-5998UL					
<b>REVISIONS</b>					
A	RELEASE FOR QUOTATION		Y	W	T
	08-31-05				
B	ADDED: NOTE 4 & 5, CONTACT		Y	W	T
	10-26-05				



CONTACT

NOTES:

1. ELECTRICAL SPECIFICATIONS

INSULATION RESISTANCE: 1000 MEGOHOMS  
WITHSTAND VOLTAGE: 1000V,AC/ MINUTE

2. MECHANICAL SPECIFICATIONS

CONTACT MATERIAL: PHOSPHOR BRONZE 0.3MM THICKNESS  
CONTACT PLATING: 50 MICRO-INCH GOLD PLATE OVER 100  
MICRO-INCH NICKEL PLATING  
HOUSING MATERIAL: POLYCARBONATE  
DURABILITY: 1000 CYCLES MIN  
UL FLAMABILITY RATING: 94-V0

3. ENVIRONMENTAL SPECIFICATIONS

TEMPERATURE RANGE: -40 TO +70

4. FOR FLAT OVAL OR ROUND CABLE

5. FOR SOLID OR STRANDED WIRE APPLICATIONS

THIS DRAWING TO BE INTERPRETED  
PER ANSI Y 14.5M - 1994

**COMPANY CONFIDENTIAL**

TOLERANCE UNLESS OTHERWISE SPECIFIED		DRAWN BY	DATE
		BETTY.YU	10-26-05
DECIMALS	mm	CHECKED BY	DATE
X	± 0.5	IVON.W	10-26-05
X.X	± 0.15	APPROVED BY	DATE
X.XX	± 0.10	THOMAS	10-26-05
ANGLES	+ 0.5°	U/M	mm

		<b>Connectivity Solutions</b>	
SHEET		DRAWING NO.	
1 OF 1		32-5998UL	
SIZE		C	

THIS DRAWING WAS PRODUCED BY COMPUTER,  
DO NOT SCALE DRAWING OR UPDATE MANUALLY.