

NOTES:

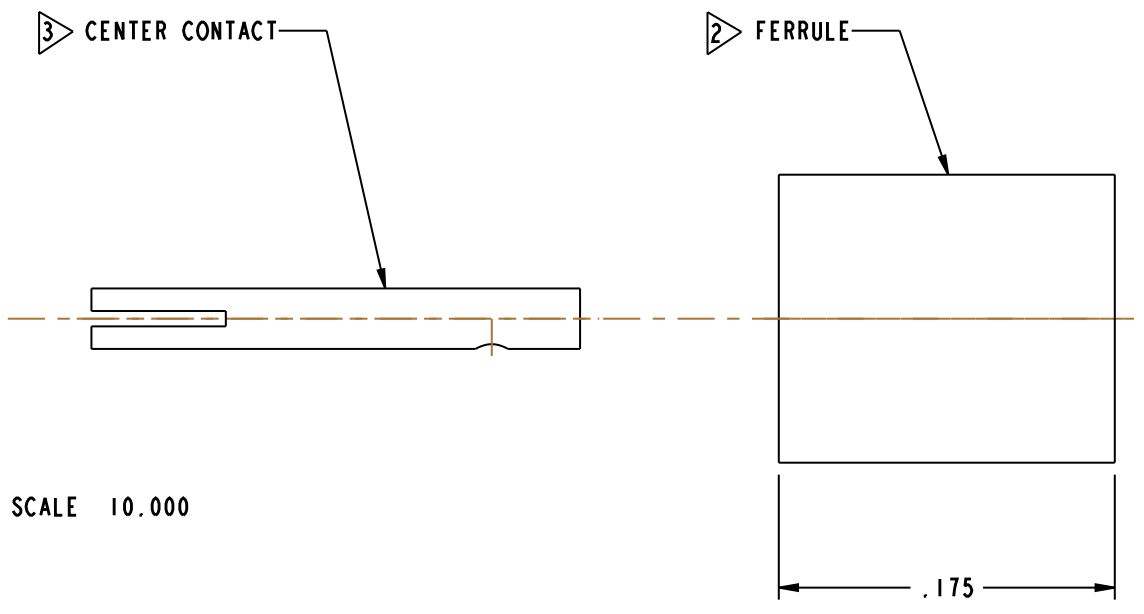
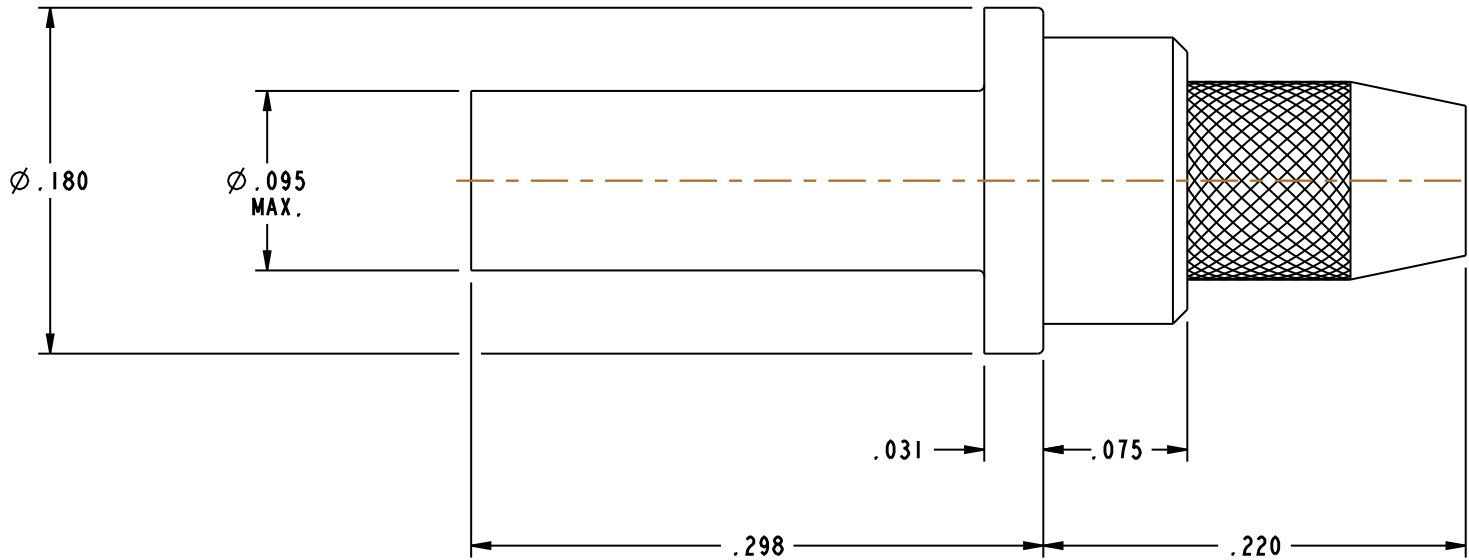
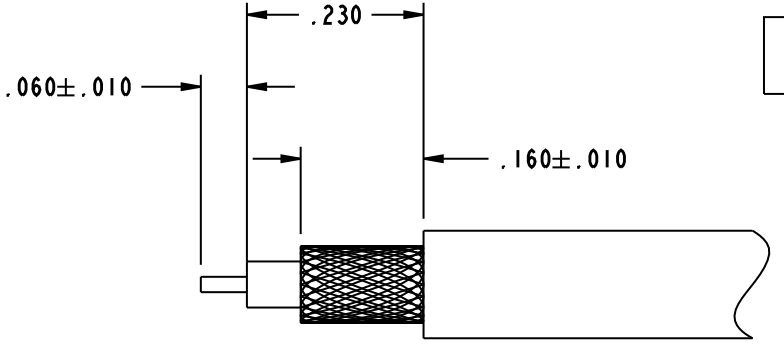
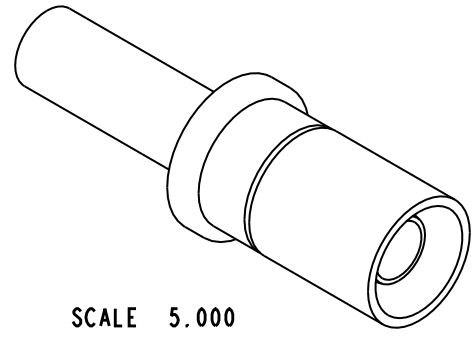
1. MATERIALS AND FINISHES:

- BODY - BERYLLIUM COPPER, GOLD PLATING (.000030" MIN. THICK)
- CONTACT - BERYLLIUM COPPER, GOLD PLATING (.000050" MIN. THICK)
- INSULATOR - PTFE
- RETAINING RING - BRASS, GOLD PLATING (.000030" MIN. THICK)
- FERRULE - SEAMLESS COPPER ALLOY, GOLD PLATING (.000030" MIN. THICK)
- CRIMP FERRULE WITH FRAME #227-944 (M22520) & DIE SET #227-1221-03.
- CRIMP CENTER CONTACT DANIELS POSITIONER #K878S AND TOOL M22520/2-01 (SELECTOR #4).

4. PACKAGING:
- A. QUANTITY: SINGLE PACK
 - B. MARKING: BAG TO BE MARKED
"AMPHENOL, 902-5039, AND DATE CODE"

902-5039		REVISIONS			
DRAWING NO.	REV	DESCRIPTION	DATE	ECO	APPR
THIRD ANGLE PROJ.	F	RELEASE TO MFG.	10-Mar-10	--	JYL

PRELIMINARY ISSUE



CUSTOMER OUTLINE DRAWING
ALL OTHER SHEETS ARE FOR INTERNAL USE ONLY

UNLESS OTHERWISE SPECIFIED, DIMENSIONS ARE IN INCHES AND TOLERANCES ARE: 2 PLACE DECIMAL ±.015 (0,381 mm) 3 PLACE DECIMAL ±.005 (0,127 mm) ANGLES ± 1°	MATERIAL	DRAWN JIA YONG LI	DATE 10-Mar-10	TITLE # 12 COAXIAL PLUG CONTACT FOR RG-316/U CABLE	Amphenol Amphenol Corporation Communication and Network Products Division Danbury, CT U.S.A. 06810
	REFERENCE	ENGINEER JIA YONG LI	DATE 10-Mar-10		
NOTICE - These drawings, specifications, or other data (1) are, and remain the property of Amphenol Corp. (2) must be returned upon request; and (3) are confidential and not to be disclosed to any person other than those to whom they are given by Amphenol Corp. The furnishing of these drawings, specifications, or other data by Amphenol Corp., or to any other person to anyone for any purpose is not to be regarded by implication or otherwise in any manner licensing, granting rights or permitting such holder or any other person to manufacture, use or sell any product, process or design, patented or otherwise, that may in any way be related to or disclosed by said drawings, specifications, or other data.		APPROVED	DATE	SCALE: 2.0:1	SHEET 1 OF 1
		CAD FILE I:/#12/ 902-5039	CODE ID 74868	DWG SIZE B	DRAWING NO. 902-5039