

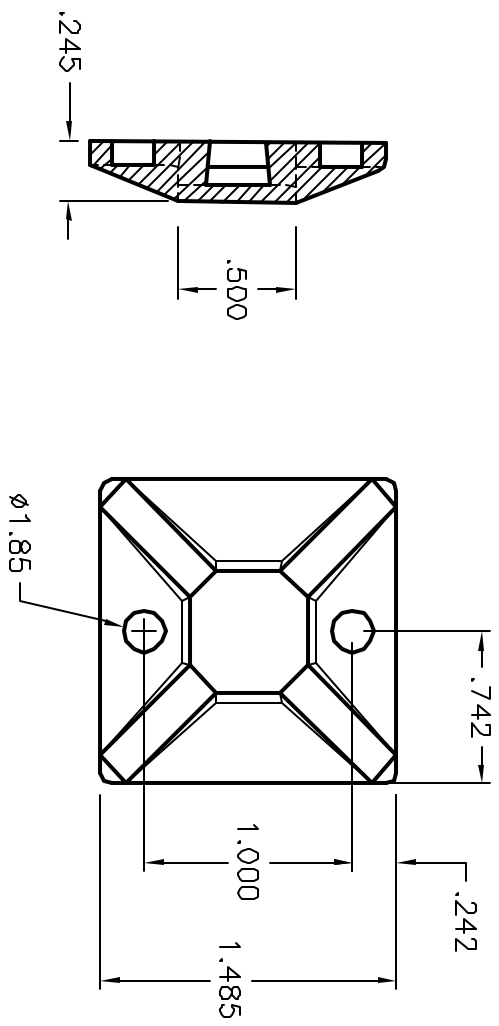
ALL RIGHTS RESERVED. NO PORTION OF THIS PUBLICATION, WHETHER IN WHOLE OR IN PART CAN BE REPRODUCED WITHOUT THE EXPRESS WRITTEN CONSENT OF SPC TECHNOLOGY.

SPC-F008.DWG

REVISIONS		DOC. NO. SPC-F008	Effective 7/8/02	DCP No. 1308				
DCP #	REV	DESCRIPTION	DRAWN	DATE	CHECKD	DATE	APPRVD	DATE
1785		Released	JWM	2/13/03	JN	04/07/08	JN	04/07/08



- NOTES
- For 18 thru 150lb. ties
  - Color: White
  - Adhesive: Rubber Based



SPC Mfr P/N #	Product Description	UOM (Unit of Measure)	QOM (Quantity of Measure)
SPC10802	Cable Tie Mount, Rubber Based Adhesive Mount, 4-Way Tie Entry, White, RoHS Compliant	PK	250
SPC10803	Cable Tie Mount, Rubber Based Adhesive Mount, 4-Way Tie Entry, White, RoHS Compliant	PK	100

**DISCLAIMER:** ALL STATEMENTS AND TECHNICAL INFORMATION CONTAINED HEREIN ARE BASED UPON INFORMATION AND/OR TESTS WE BELIEVE TO BE ACCURATE AND RELIABLE. SINCE CONDITIONS OF USE ARE BEYOND OUR CONTROL, THE USER SHALL DETERMINE THE SUITABILITY OF THE PRODUCT FOR THE INTENDED USE AND ASSUME ALL RISK AND LIABILITY WHATSOEVER IN CONNECTION THEREWITH.

**TOLERANCES:** UNLESS OTHERWISE SPECIFIED, DIMENSIONS ARE FOR REFERENCE PURPOSES ONLY.

<b>DRAWN BY:</b> Jeff McVicker	<b>DATE:</b> 2/13/03	<b>DRAWING TITLE:</b> Cable Tie Mounting Base (Adhesive)	
<b>CHECKED BY:</b> Jason Nash	<b>DATE:</b> 04/07/08	<b>SIZE:</b> A	<b>DWG. NO.:</b> TA-857
<b>APPROVED BY:</b> Jason Nash	<b>DATE:</b> 04/07/08	<b>SCALE:</b> NTS	<b>U.O.M.:</b> INCHES [mm]

<b>ELECTRONIC FILE</b>	<b>REV</b>
TA-857.dwg	A

**SHEET:** 1 OF 1