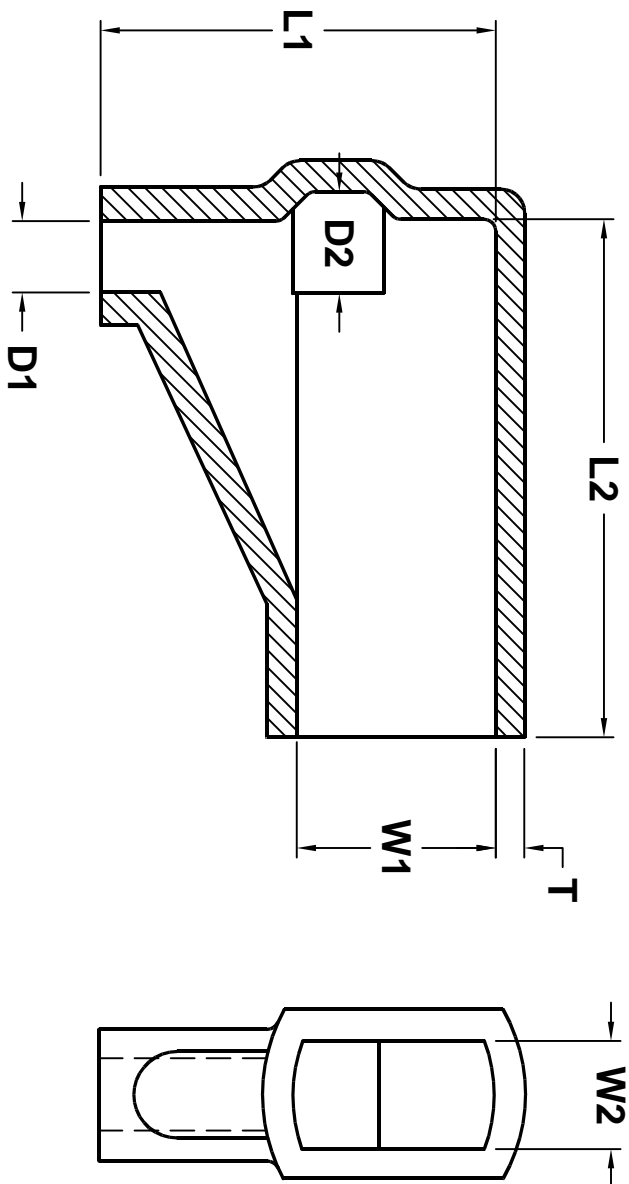


ALL RIGHTS RESERVED. NO PORTION OF THIS PUBLICATION, WHETHER IN WHOLE OR IN PART CAN BE REPRODUCED WITHOUT THE EXPRESS WRITTEN CONSENT OF SPC TECHNOLOGY.

REVISIONS		DOC. NO. SPC-F005	Effective: 12/21/98		DCP No: 880	
DCP #	REV	DESCRIPTION	DRAWN	DATE	CHECKD	DATE
860	A	RELEASED	JWM	4/6/01	JC	4/11/01
					DJC	4/27/01



- NOTES:
1. Material: Soft PVC
 2. Color: Transparent Blue
 3. Specific Gravity: 1.2~1.5
 4. Heat Resistance: 105°C
 5. Flame Resistance: Less than 60 seconds
S.E., 0 seconds (UL224)
 6. Hi Pot: 2400V for 1 minute (UL510)
 7. Corrosion when exposed to copper: None
 8. Voltage: 600V

SPC Type No.	Wire O.D. Range	AWG	D1	D2	L1 ±.04	L2 ±.04	W1	W2	T
SPC4892	.058 [1.5] ~ .091 [2.3]	22 ~ 18	.10 [2.5]	.14 [3.6]					
SPC4893	.068 [1.7] ~ .113 [2.9]	20 ~ 18	.12 [3.0]	.16 [4.1]	.45 [11.4]	.55 [14.0]	.24 [6.1]	.12 [3.0]	.04 [1.0]
SPC4894	.071 [1.8] ~ .126 [3.2]	18 ~ 16	.13 [3.3]	.17 [4.3]					
SPC4895	.091 [2.3] ~ .140 [3.6]	16 ~ 14	.16 [4.1]	.20 [5.0]	.53 [13.5]	.69 [17.5]	.34 [8.6]	.18 [4.6]	

DISCLAIMER:
 ALL STATEMENTS AND TECHNICAL INFORMATION CONTAINED HEREIN ARE BASED UPON INFORMATION AND/OR TESTS WE BELIEVE TO BE ACCURATE AND RELIABLE SINCE CONDITIONS OF USE ARE BEYOND OUR CONTROL. THE USER SHALL DETERMINE THE SUITABILITY OF THE PRODUCT FOR THE INTENDED USE AND ASSUME ALL RISK AND LIABILITY WHATSOEVER IN CONNECTION THEREWITH.



SPC TECHNOLOGY

UNLESS OTHERWISE SPECIFIED, DIMENSIONS ARE FOR REFERENCE PURPOSES ONLY.

DRAWN BY: Jeff McVicker
 CHECKED BY: JOHN COLE
 APPROVED BY: Daniel Carey

DATE: 4/6/01
 DATE: 4/11/01
 DATE: 4/27/01

DRAWING TITLE: Flag Type Insulating Sleeve

SIZE: A

DWG. NO. TA-320

ELECTRONIC FILE TA-320.dwg

REV A