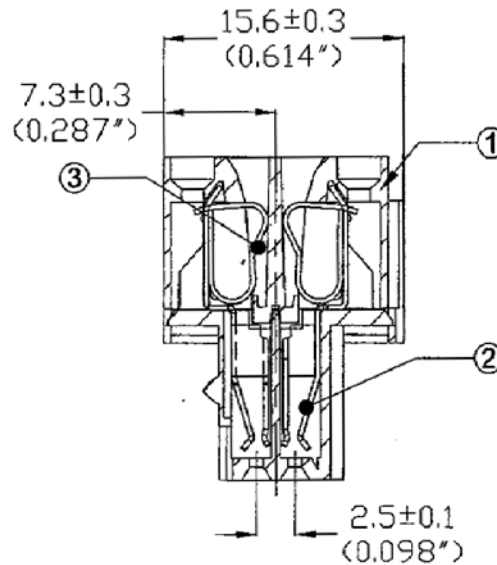
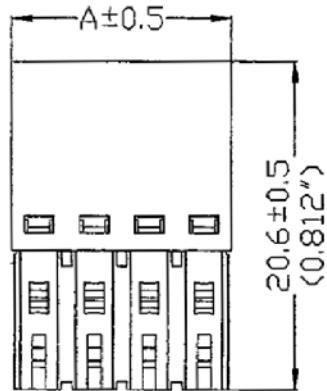
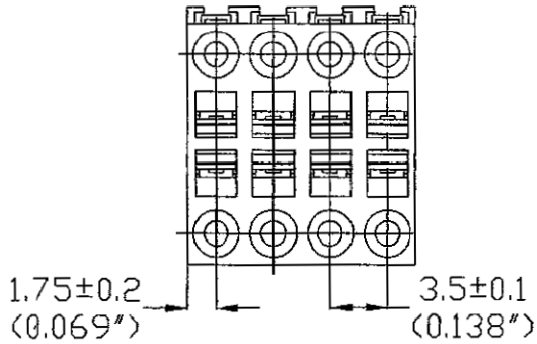


REVISIONS

DCP #	REV	DESCRIPTION	DRAWN	DATE	CHECKD	DATE	APPRVD	DATE
2075	A	RELEASED	LG	30-09-08	JN	30-09-08	JN	30-09-08



Mfg. p/n	A (mm)	A (inch)
MC24401	3.5	0.138
MC24402	7.0	0.276
MC24403	14.0	0.551

SPECIFICATIONS	UL
Rated Voltage	AC 150V
Rated Current	5A
Wire Size	22~18AWG
Housing Material	PBT(UL94V-0)
Spring	Stainless strip steel
Contact	Phosphor Bronze, Tin plated
Operating Temperature	-40°C to +150°C

DISCLAIMER:
ALL STATEMENTS AND TECHNICAL INFORMATION CONTAINED HEREIN ARE BASED UPON INFORMATION AND/OR TESTS WE BELIEVE TO BE ACCURATE AND RELIABLE. SINCE CONDITIONS OF USE ARE BEYOND OUR CONTROL, THE USER SHALL DETERMINE THE SUITABILITY OF THE PRODUCT FOR THE INTENDED USE AND ASSUME ALL RISK AND LIABILITY WHATSOEVER IN CONNECTION THEREWITH.

**TOLERANCES:
UNLESS OTHERWISE SPECIFIED, DIMENSIONS ARE FOR REFERENCE PURPOSES ONLY.**

DRAWN BY:	DATE:
LG	30-09-08
CHECKED BY:	DATE:
JN	30-09-08
APPROVED BY:	DATE:
JN	30-09-08

DRAWING TITLE: Euro Type Terminal Block			
SIZE	DWG. NO.	ELECTRONIC FILE	REV
A	Ta-1197	Ta-1197.dwg	A
SCALE: NTS	U.O.M.: INCHES [mm]	SHEET: 1 OF 1	