



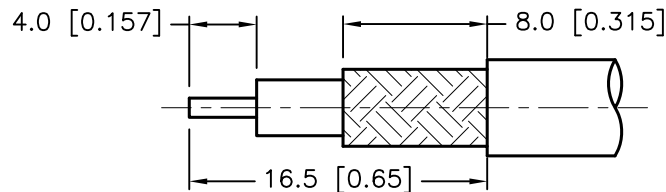
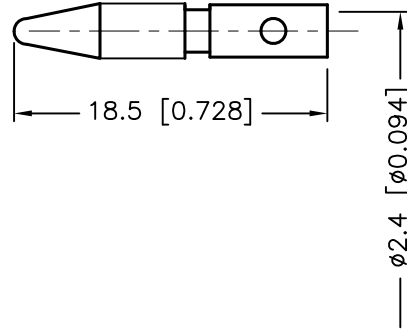
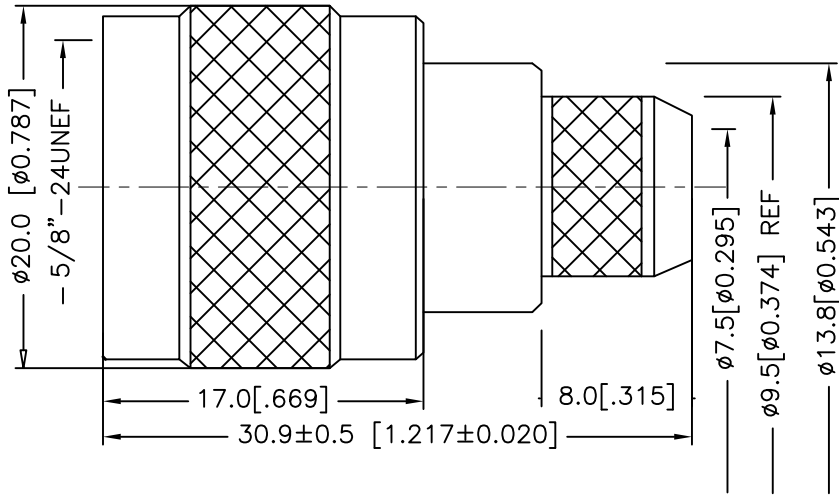
ALL RIGHTS RESERVED. NO PORTION OF THIS PUBLICATION, WHETHER IN WHOLE OR IN PART CAN BE REPRODUCED WITHOUT THE EXPRESS WRITTEN CONSENT OF SPC TECHNOLOGY.

SPC-F005.DWG

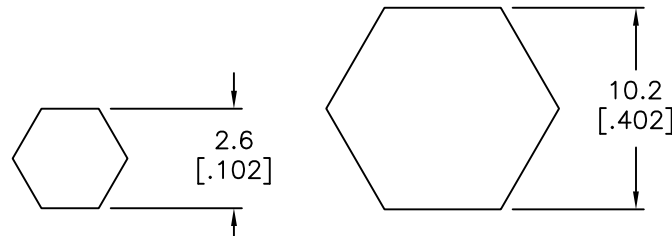
REVISIONS

DOC. NO. SPC-F005 * Effective: 7/8/02 * DCP No: 1398

DCP #	REV	DESCRIPTION	DRAWN	DATE	CHECKD	DATE	APPRVD	DATE
2095	A	RELEASED	JYC	7/19/10	JYC	7/19/10	JYC	7/19/10

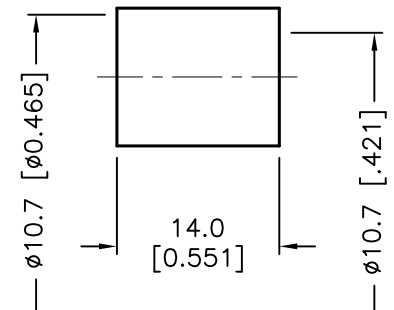


STRIPPING DIMENSION



HEX DIMENSION

HEX DIMENSION



Electrical

- Frequency Range: DC-11 GHz
- Nominal Impedance: 50 Ohm
- VSWR: 1.3 Max.



Materials

- Bodies: Brass PER JIS-C3604
- Center Contact: Brass PER JIS-C3604
- Insulation: Teflon PER ASTM D1457 and ASTM D1710
- Crimp Ferrule: Brass PER JIS-C2700

Mechanical

- Interface in accordance with: MIL-STD-348a
- For use with RG213U or similar style cable.
- Cable retention 60 lbs MIN.
- Cable attachment:
 - Outer: Crimp
 - Inner: Solder/Crimp
- Crimp size requirement:
 - Contact: 2.6(0.102) Hex. Crimp Tool
 - Ferrule: 10.2 (.402) Hex. Crimp Tool

Environmental

- Operating Temperature Range: -65°C to +165°C

8	GASKET	SILICONE	1	RED
7	SHELL	BRASS	1	NICKEL 100 μ" MIN.
6	WASHER	BRASS	1	NONE
5	INSULATION	TEFLON	1	NICKEL 100 μ" MIN.
4	BODY	BRASS	1	NICKEL 100 μ" MIN.
3	CHASSIS	BRASS	1	NICKEL 100 μ" MIN.
2	CRIMP FERRULE	BRASS	1	NICKEL 100 μ" MIN.
1	CENTER CONTACT	BRASS	1	GOLD
NO	DESCRIPTION	MATERIAL	Q'TY	FINISH

DISCLAIMER:
ALL STATEMENTS AND TECHNICAL INFORMATION CONTAINED HEREIN ARE BASED UPON INFORMATION AND/OR TESTS WE BELIEVE TO BE ACCURATE AND RELIABLE. SINCE CONDITIONS OF USE ARE BEYOND OUR CONTROL, THE USER SHALL DETERMINE THE SUITABILITY OF THE PRODUCT FOR THE INTENDED USE AND ASSUME ALL RISK AND LIABILITY WHATSOEVER IN CONNECTION THEREWITH.

TOLERANCES:
UNLESS OTHERWISE SPECIFIED, DIMENSIONS ARE FOR REFERENCE PURPOSES ONLY.

DRAWN BY:	DATE:
Jerrold Chen	7/19/10
CHECKED BY:	DATE:
Jerrold Chen	7/19/10
APPROVED BY:	DATE:
Jerrold Chen	7/19/10

DRAWING TITLE:			
N STRAIGHT PLUG CRIMP			
SIZE	DWG. NO.	ELECTRONIC FILE	REV
A	MC23568	96M8852.DWG	A
SCALE:	U.O.M.:	SHEET:	
NTS	mm [Inches]	1 OF 1	