

© COPYRIGHT 1998 BY SPC TECHNOLOGY. ALL RIGHTS RESERVED. NO PORTION OF THIS PUBLICATION, WHETHER IN WHOLE OR IN PART CAN BE REPRODUCED WITHOUT THE EXPRESS WRITTEN CONSENT OF SPC TECHNOLOGY.

REVISIONS		DOC. NO. SPC-F005, Total Pages: 2
DCP #	REV	Effective: 7/15/97, DCP No: 229 Supersedes DCP No: 103
436	A	RELEASED
		DRAWN DATE CHECKD DATE APPRVD DATE
		DJC 7/9/98 JC 7/20/98 JWM 7/22/98

Agency Approvals: UL Recognized – Guide IZLT2, File E14853 20A (3/16" quick-connect 15A) @ 250 VAC

VDE – 10A @ 250 VAC, 49890
SEMKO – 10A @ 250 VAC, 8945092, 9005230

Electrical Data: Insulation resistance (per IEC #257) – 10,000 ohms @ 500 VDC; contact resistance (per IEC #257) – 0.005 ohms max. @ 1A; stand-off voltage (per IEC #257) – 480V/Mil @ .125 in. thickness.

Environmental: Min./Max. operating temperature – 55°C to 85°C.

Molded Components: High temperature, flame retardant, thermoplastic; UL Component Recognized; 94V0; mounting nut, spacer—black polycarbonate.

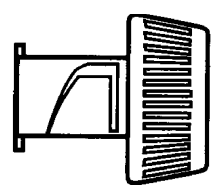
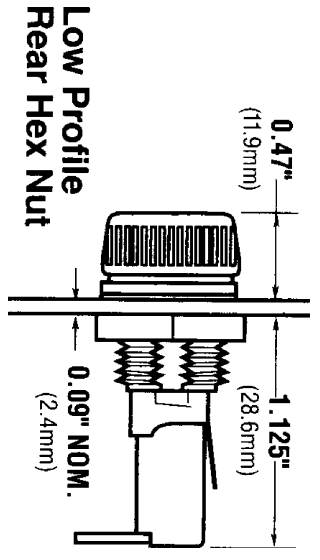
Terminals: Tin-plated brass.

Mounting: Withstands 15 to 20 lbs—ins torque to mounting nut when mounting fuseholder to panel. Maximum panel thickness 0.300 inches.

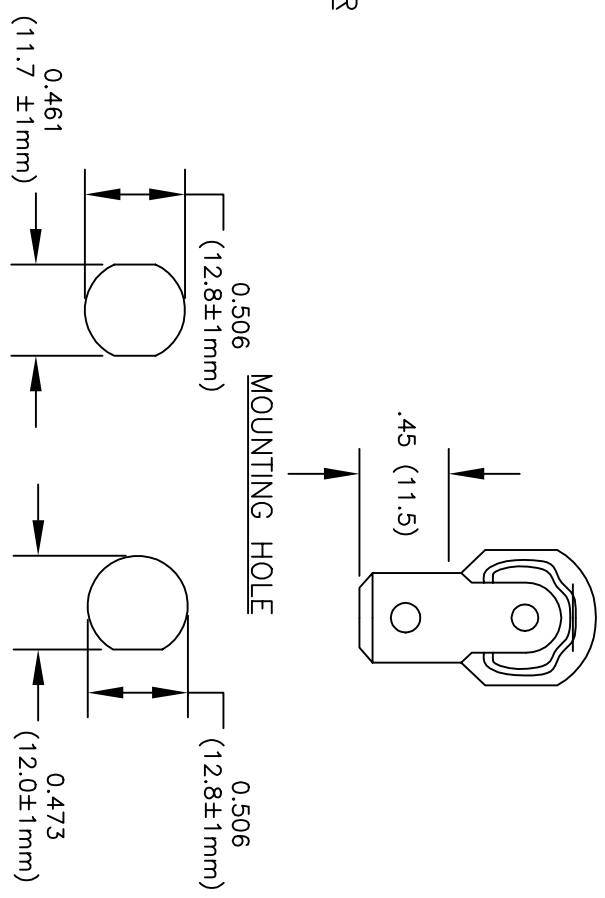
CE logo denotes compliance with European Union Low Voltage Directive (50–1000 VAC, 75–1500 VDC).

DIMENSIONAL DATA:

LENGTH: 1.69 (42.9)
MAX. PANEL THICKNESS: 0.30 (7.62)
TERMINAL: 1/4" QUICK-CONNECT, RIGHT ANGLE
CARRIER TYPE: KNOB
FUSE TYPE: 1/4" X 1-1/4"



KNOB CARRIER



DISCLAIMER:
ALL STATEMENTS AND TECHNICAL INFORMATION CONTAINED HEREIN ARE BASED UPON INFORMATION AND/OR TESTS WE BELIEVE TO BE ACCURATE AND RELIABLE. SINCE CONDITIONS OF USE ARE BEYOND OUR CONTROL, THE USER SHALL DETERMINE THE SUITABILITY OF THE PRODUCT FOR THE INTENDED USE AND ASSUME ALL RISK AND LIABILITY WHATSOEVER IN CONNECTION THEREWITH.

multicomp[®]

UNLESS OTHERWISE SPECIFIED, DIMENSIONS ARE FOR REFERENCE PURPOSES ONLY.		DRAWING TITLE: PANEL MOUNT FUSEHOLDER	
DRAWN BY: DANIEL CAREY	DATE: 7/9/98	SIZE: A	DWG. NO.: MCHTB-281
CHECKED BY: JOHN COLE	DATE: 7/20/98	SCALE: NTS	ELECTRONIC FILE: 92N5195.DWG
APPROVED BY: JEFF MCWICKER	DATE: 7/22/98		REV: A
			SHEET: 1 OF 1