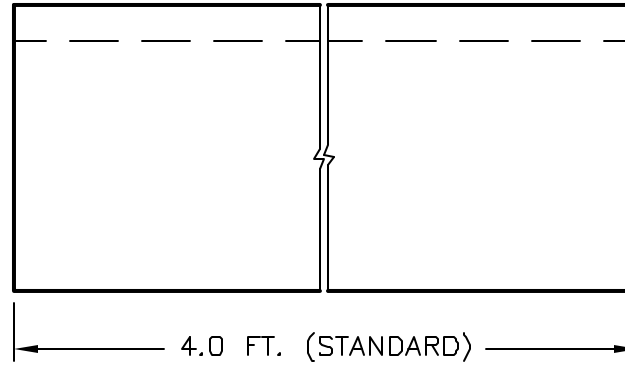
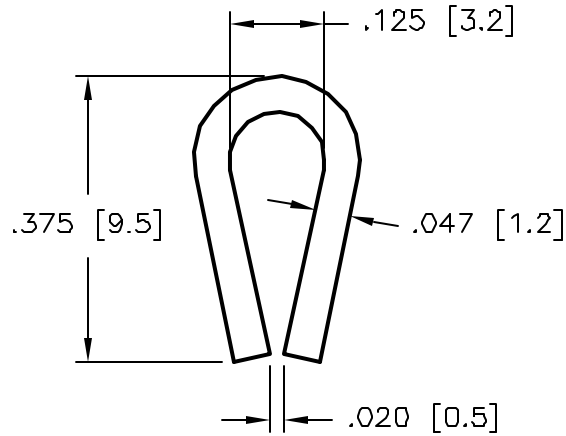


REVISIONS

DCP #	REV	DESCRIPTION	DRAWN	DATE	CHECKD	DATE	APPRVD	DATE
392	A	RELEASED	J.W.M.	7/9/98	J.C.	7/24/98	D.J.C.	7/27/98
1865	B	RoHS ADDED	DCM	10/28/05	JWM	10/29/05	JWM	10/29/05



- NOTES:
 1. MAT'L: NYLON
 2. COLOR: GRAY

DISCLAIMER:
 ALL STATEMENTS AND TECHNICAL INFORMATION CONTAINED HEREIN ARE BASED UPON INFORMATION AND/OR TESTS WE BELIEVE TO BE ACCURATE AND RELIABLE. SINCE CONDITIONS OF USE ARE BEYOND OUR CONTROL, THE USER SHALL DETERMINE THE SUITABILITY OF THE PRODUCT FOR THE INTENDED USE AND ASSUME ALL RISK AND LIABILITY WHATSOEVER IN CONNECTION THEREWITH.

TOLERANCES:
 Tolerances Unless Otherwise Specified:
 .XX = ±.010
 .XXX = ±.005
 Frac. = ±1/64
 Ang = ±1°

DRAWN BY:	DATE:
Jeff McVicker	7/9/98
CHECKED BY:	DATE:
John Cole	7/24/98
APPROVED BY:	DATE:
Daniel Carey	7/27/98

DRAWING TITLE: Duro Strip Channel			
SIZE	DWG. NO.	ELECTRONIC FILE	REV
A	2574	92N4789.dwg	B
SCALE: NTS	U.O.M.: INCHES [mm]	SHEET: 1 OF 1	