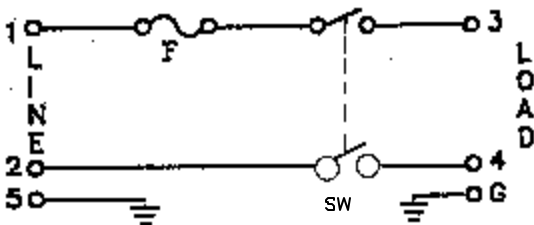
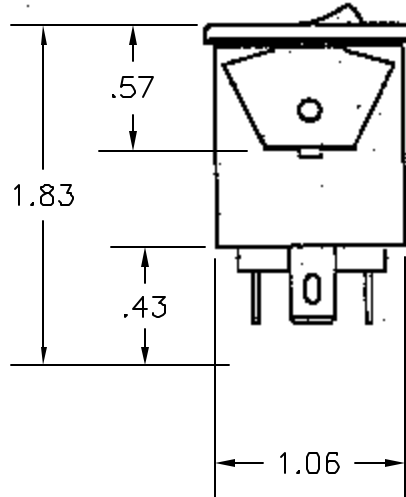
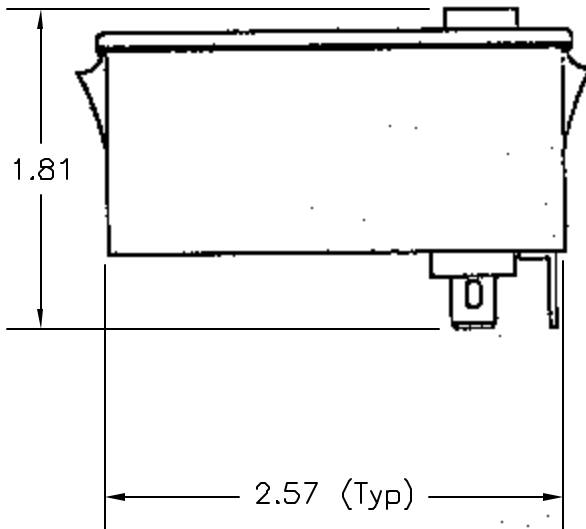
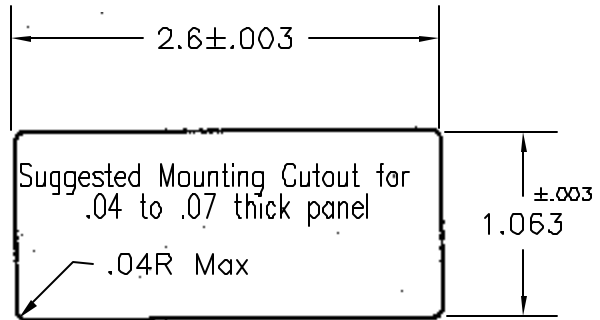
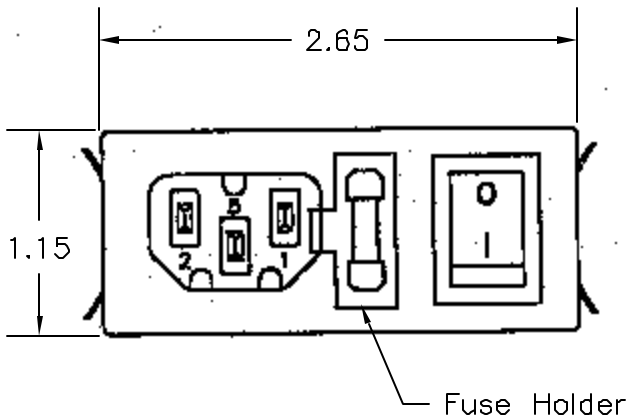


© COPYRIGHT 1997 BY SPC TECHNOLOGY.
 ALL RIGHTS RESERVED. NO PORTION OF
 THIS PUBLICATION, WHETHER IN WHOLE
 OR IN PART CAN BE REPRODUCED
 WITHOUT THE EXPRESS WRITTEN CONSENT
 OF SPC TECHNOLOGY.

REVISIONS			DOC. NO. SPC-F004. Total Pages: 2 Effective: 7/15/97. DCP No: 229 Supersedes DCP No: 103						
DCP #	REV	DESCRIPTION	DRAWN	DATE	CHECKD	DATE	APPRVD	DATE	
162	A	RELEASED	J.W.M.	1/6/98	J.C.	2/4/98	B.B.	2/5/98	



Schematic

Electrical Characteristics
 Voltage Rating: 250VDC
 Current Rating:

- UL @ 6A: 115/250VAC
- CSA @ 6A: 115/250VAC
- VDE @ 10A: 250VAC

Note: power switch VDE approved
 Voltage selector switch UL/CSA/VI.

5A/250VAC.
 Operating Frequency: 48-440Hz
 HiPot Rating (for one minute)
 Line to ground: 2000VAC
 line to line: 1500VAC

Minimum Insulation Res. (For 1 min. @ 500 VDC
 Line to ground: 10M Ohm
 Line to line: 10M Ohm

APPROVALS	
USA	98
Canada	6
Germany	6

SPC-F004.DWG

DISCLAIMER:
 ALL STATEMENTS AND TECHNICAL INFORMATION CONTAINED HEREIN ARE BASED UPON INFORMATION
 AND/OR TESTS WE BELIEVE TO BE ACCURATE AND RELIABLE. SINCE CONDITIONS OF USE ARE
 BEYOND OUR CONTROL, THE USER SHALL DETERMINE THE SUITABILITY OF THE PRODUCT FOR THE
 INTENDED USE AND ASSUME ALL RISK AND LIABILITY WHATSOEVER IN CONNECTION THEREWITH.



<i>Unless Otherwise Specified: Dimensions are shown for reference only!</i>	DRAWN BY:	DATE:	DRAWING TITLE:			
	Jeff McVicker	1/6/98	Multi-function Module			
	CHECKED BY:	DATE:	SIZE	DWG. NO.	ELECTRONIC FILE	REV
	JOHN COLE	2/4/98	A	2166	92N4169.DWG	A
	APPROVED BY:	DATE:	SCALE: NTS		U.O.M.: INCHES [mm]	SHEET: 1 OF 1
BRETT BRAATZ	2/5/98					