

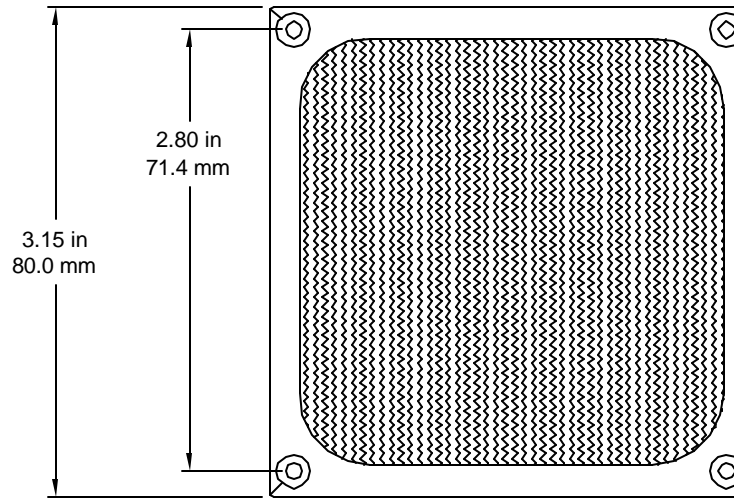
REVISIONS

DCP #	REV	DESCRIPTION	DRAWN	DATE	CHECKD	DATE	APPRVD	DATE
2033	A	RELEASED	JN	03/30/09	JWM	03/30/09	JWM	03/30/09

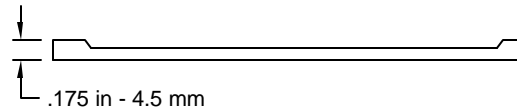


Notes:

- Material:** Aluminum/ Stainless Steel
- Screen:** 30 x 30 mesh convoluted with 3/16" pitch, 1/8" deep
- Finish:** Mill and Anodized Black Electrodeposit



0.17 in
4.3 mm
Mounting Hole Dia.



DISCLAIMER:
ALL STATEMENTS AND TECHNICAL INFORMATION CONTAINED HEREIN ARE BASED UPON INFORMATION AND/OR TESTS WE BELIEVE TO BE ACCURATE AND RELIABLE. SINCE CONDITIONS OF USE ARE BEYOND OUR CONTROL, THE USER SHALL DETERMINE THE SUITABILITY OF THE PRODUCT FOR THE INTENDED USE AND ASSUME ALL RISK AND LIABILITY WHATSOEVER IN CONNECTION THEREWITH.

TOLERANCES:
UNLESS OTHERWISE SPECIFIED, DIMENSIONS ARE FOR REFERENCE PURPOSES ONLY.

DRAWN BY:	DATE:
Jason Nash	03/30/09
CHECKED BY:	DATE:
JWM	03/30/09
APPROVED BY:	DATE:
JWM	03/30/09

DRAWING TITLE: Fan Filter			
SIZE A	DWG. NO. MC33016	ELECTRONIC FILE 87P0751.dwg	REV A
SCALE: NTS	U.O.M.: INCHES [mm]	SHEET: 1 OF 1	