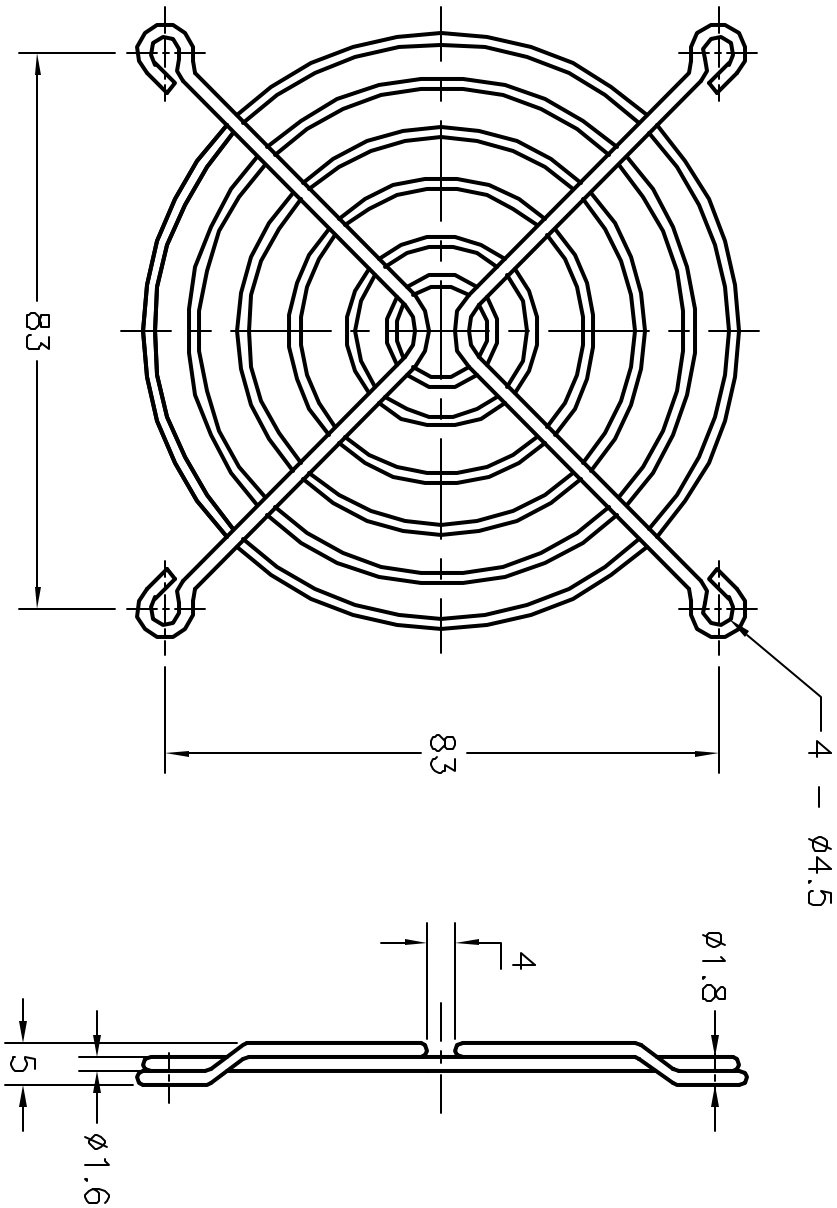
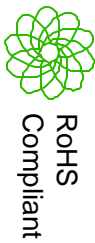


© COPYRIGHT 1998 BY SPC TECHNOLOGY. ALL RIGHTS RESERVED. NO PORTION OF THIS PUBLICATION, WHETHER IN WHOLE OR IN PART CAN BE REPRODUCED WITHOUT THE EXPRESS WRITTEN CONSENT OF SPC TECHNOLOGY.

REVISIONS		DOC. NO.	SPC-F005, Total Pages: 2		Effective:	7/19/97	DCP No:	229	Supersedes	DCP No:	103
DCP #	REV	DESCRIPTION	DRAWN	DATE	CHECKED	DATE	APPRVD	DATE			
573	A	RELEASED	DJC	9/29/98	JC	10/9/98	JWM	10/12/98			



**DISCLAIMER:**  
 ALL STATEMENTS AND TECHNICAL INFORMATION CONTAINED HEREIN ARE BASED UPON INFORMATION AND/OR TESTS WE BELIEVE TO BE ACCURATE AND RELIABLE. SINCE CONDITIONS OF USE ARE BEYOND OUR CONTROL, THE USER SHALL DETERMINE THE SUITABILITY OF THE PRODUCT FOR THE INTENDED USE AND ASSUME ALL RISK AND LIABILITY WHATSOEVER IN CONNECTION THEREWITH.

UNLESS OTHERWISE SPECIFIED, DIMENSIONS ARE FOR REFERENCE PURPOSES ONLY.

DRAWN BY:	DATE:	DRAWING TITLE:	SIZE	DWG. NO.	ELECTRONIC FILE	REV
DANIEL CAREY	9/29/98	METAL WIRE FAN GUARD	A	MC19666	70K8549.DWG	A
CHECKED BY:	DATE:	SCALE:	NTS	U.O.M.: MILLIMETERS	SHEET:	1 OF 1
JOHN COLE	10/9/98					
APPROVED BY:	DATE:					
JEFF MCVICKER	10/12/98					

SPC-F005.DWG