

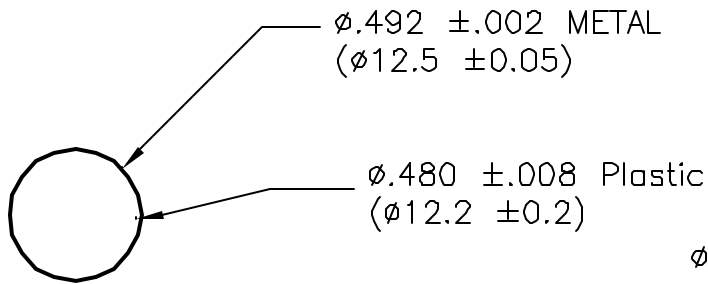
ALL RIGHTS RESERVED. NO PORTION OF THIS PUBLICATION, WHETHER IN WHOLE OR IN PART CAN BE REPRODUCED WITHOUT THE EXPRESS WRITTEN CONSENT OF SPC TECHNOLOGY.

DCP #		REV	DESCRIPTION	DRAWN	DATE	CHECKD	DATE	APPRVD	DATE
170		A	RELEASED	HYD	1/18/00	JC	1/28/00	DJC	4/5/00

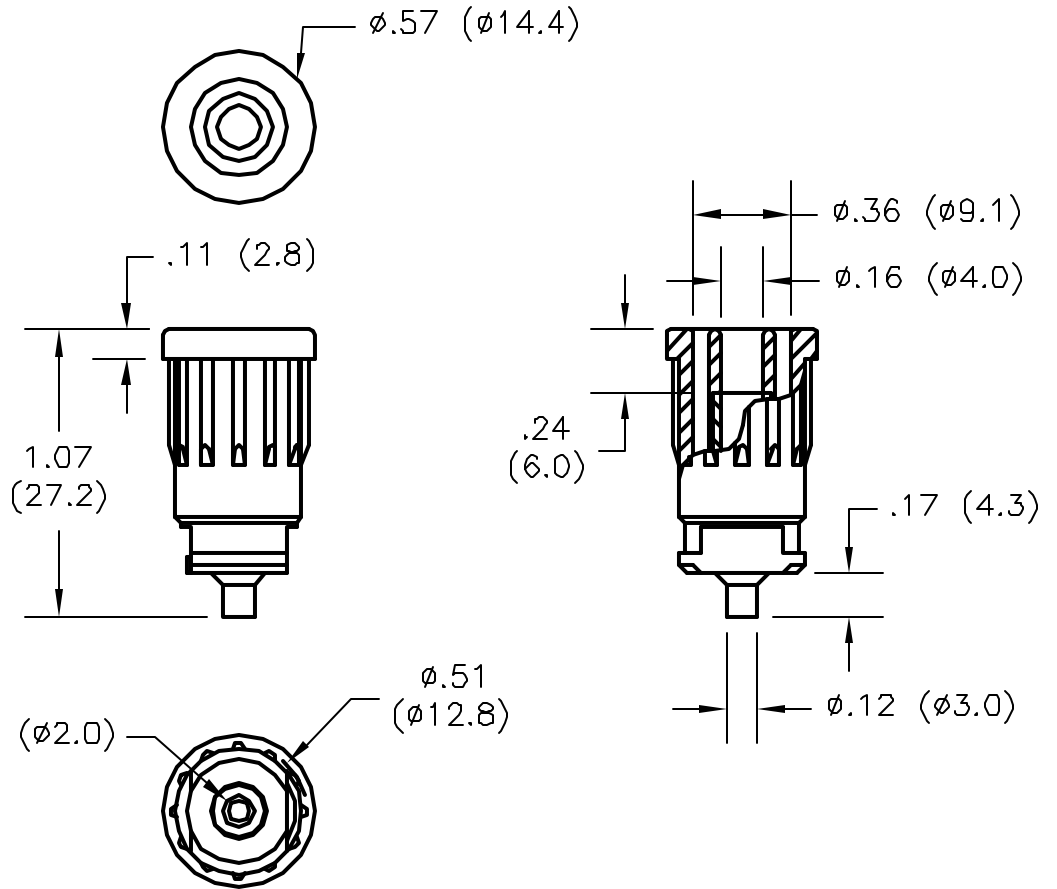
DOC. NO. SPC-F005 * Effective: 12/21/08 * DCP No: 880

SPECIFICATIONS:

1. INSULATOR: POLYAMIDE (NYLON)
2. CONTACT: BRASS, NICKEL PLATED
3. VOLTAGE: 1000V CATIII P2 (IEC61010-1)
4. CURRENT: 25A MAX.
5. RESISTANCE: < 5 milliohms
6. TEMPERATURE: -20°C TO +80°C
7. COLOR: RED



MOUNTING HOLE



DISCLAIMER:
ALL STATEMENTS AND TECHNICAL INFORMATION CONTAINED HEREIN ARE BASED UPON INFORMATION AND/OR TESTS WE BELIEVE TO BE ACCURATE AND RELIABLE. SINCE CONDITIONS OF USE ARE BEYOND OUR CONTROL, THE USER SHALL DETERMINE THE SUITABILITY OF THE PRODUCT FOR THE INTENDED USE AND ASSUME ALL RISK AND LIABILITY WHATSOEVER IN CONNECTION THEREWITH.



SPC TECHNOLOGY

Tolerances Unless Otherwise Specified Decimals .XX ± .02 .XXX ± .005	DRAWN BY:	DATE:	DRAWING TITLE:		
	HISHAM QDISH	1/19/00	PUSH-IN SAFETY SOCKET, .080 SOLDER HOLE		
	CHECKED BY:	DATE:	SIZE	DWG. NO.	ELECTRONIC FILE
	JOHN COLE	1/28/00	A	SPC4866	50N077.DWG
APPROVED BY:	DATE:	SCALE:		U.O.M.: INCHES [mm]	REV
DANIEL CAREY	4/5/00	NTS		U.O.M.: INCHES [mm]	DATE
					SHEET: 1 OF 1