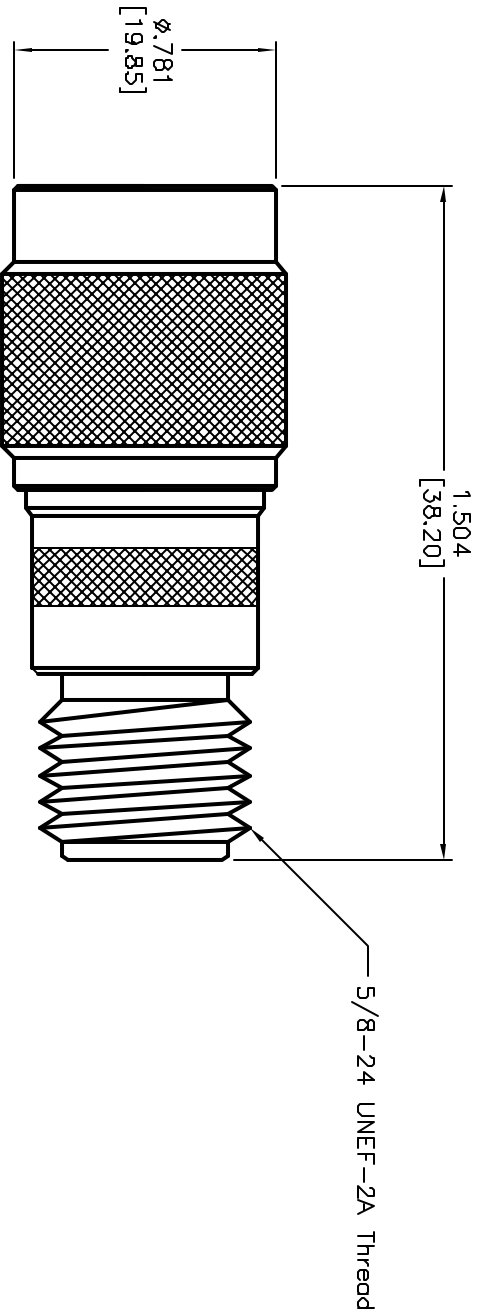


ALL RIGHTS RESERVED. NO PORTION OF THIS PUBLICATION, WHETHER IN WHOLE OR IN PART, CAN BE REPRODUCED WITHOUT THE EXPRESS WRITTEN CONSENT OF SPC TECHNOLOGY.

SPC-F006.DWG

REVISIONS		DOC. NO. SPC-F006	Effective 7/8/02		DCP No: 1308	
DCP #	REV	DESCRIPTION	DRAWN	DATE	CHECK'D	DATE
1845	A	Released	JWM	1/30/08	JN	04/03/08



SPECIFICATIONS:

- Impedance: 50 OHMS
- Interface: Per MIL-STD-348
- Insulation Resistance: 5,000 Megohms min.
- Working Voltage: 1,000 VRMS @ SEA LEVEL
- Frequency range: 0 ~ 11 GHz
- Insertion Loss: $-0.03\text{dB} \times \sqrt{f(F=\text{GHz})}$ Max
- Temp Range: $-65^\circ\text{C} \sim 85^\circ\text{C}$
- VSWR: 1.15:1 Max to 6 GHz
- Body: Brass, Nickel Plated
- Contact: Phosphor Bronze, Gold Plated
- Insulator: PTFE, White
- Shell: Brass, Nickel Plated

TOLERANCES:

UNLESS OTHERWISE SPECIFIED, DIMENSIONS ARE FOR REFERENCE PURPOSES ONLY.

DISCLAIMER:
ALL STATEMENTS AND TECHNICAL INFORMATION CONTAINED HEREIN ARE BASED UPON INFORMATION AND/OR TESTS WE BELIEVE TO BE ACCURATE AND RELIABLE. SINCE CONDITIONS OF USE ARE BEYOND OUR CONTROL, THE USER SHALL DETERMINE THE SUITABILITY OF THE PRODUCT FOR THE INTENDED USE AND ASSUME ALL RISK AND LIABILITY WHATSOEVER IN CONNECTION THEREWITH.

DRAWN BY:	DATE:	DRAWING TITLE:				
Jeff McVicker	1/30/06	Adapter, Reverse Polarity, N Plug to N Jack				
CHECKED BY:	DATE:	SIZE	DWG. NO.	ELECTRONIC FILE	REV	
Jason Nash	04/03/08	A	SPC14811	35K4138.dwg		
APPROVED BY:	DATE:	SCALE:	NTS	U.O.M.: INCHES [mm]	SHEET:	1 OF 1
Jason Nash	04/03/08					